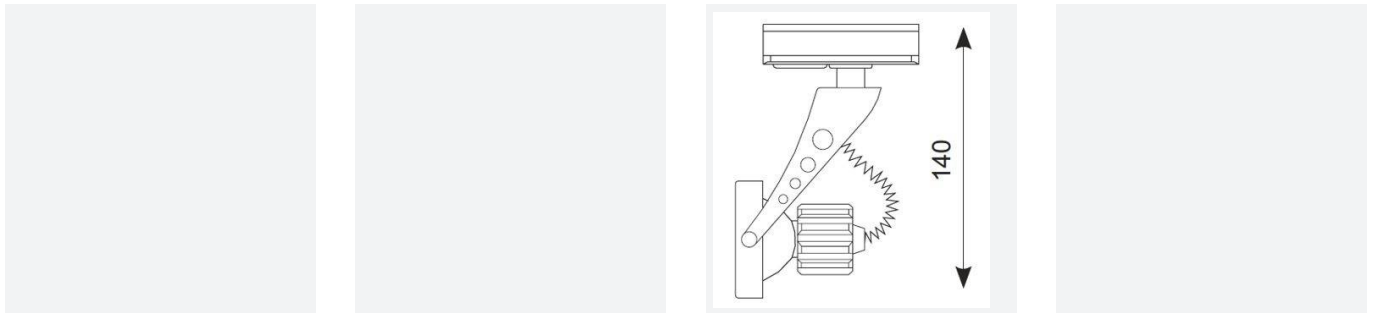




Single Circuit Lanzia GU10 Mains

Single Circuit Lanzia GU10 Mains White
Code: ALGU10S/W

Category	Track Lighting
Application	Hospitality, Residential, Retail
Specification	Architectural



PRODUCT FEATURES

- Modern sleek trackspot (product supplied less lamp)
- Option to add Bluetooth and WiFi enabled smart WIZ GU10 lamp
- 355 degree rotation, spot head tilt angle to 90°

GENERAL INFORMATION

Wattage	50W
Input	220/240V
Operating Temp	-20°C - 25°C
Product Weight without Packaging	0.137 kg

TECHNICAL INFORMATION

Light Source	GU10
Colour / Finish	White
IP Rating	IP20
Class Protection	2
Internal / External	Internal
Lumen Depreciation	L70 50,000h
Warranty (Years)	2
CE Mark	Yes
Height	140 mm
Accessories	AMON/GU10/W, AMON/GU10/B

