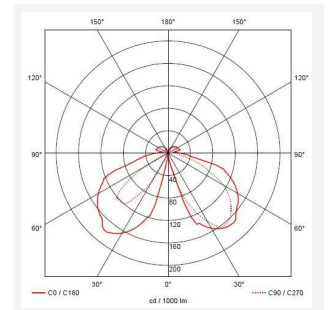
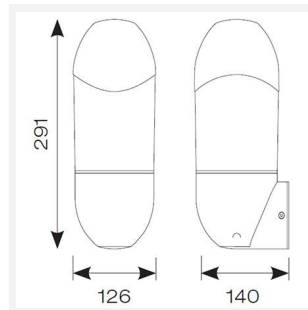
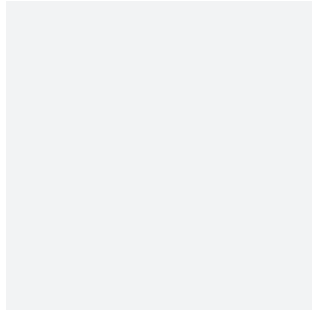
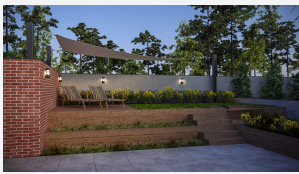




Leo Wall Lantern

Category	Wall Lights
Application	Hospitality, Outdoor, Residential, Retail
Specification	Architectural

Leo CCT Wall Lantern PIR
Code: ALEOLED/WL/PIR



- Modern styled wall lantern with polycarbonate construction suitable for commercial and residential applications
- Polycarbonate construction is ideal for coastal applications
- CCT selectable between 3000K and 4000K

- White reflector with clear polycarbonate diffuser
- PIR option for convenience and security. Incorporates manual override option
- Non-dimmable

GENERAL INFORMATION	
Wattage	8W
Lumens Delivered	450lm (4000K)
Lm/W	56lm/W (4000K)
Beam Angle	130
CRI	80
CCT	3000/4000K
Input	220-240V
Operating Temp	-10°C - 40°C
SDCM	6
Product Weight without Packaging	0.72 kg

TECHNICAL INFORMATION	
Light Source	LED
Colour / Finish	Graphite
IP Rating	IP65
Class Protection	2
Internal / External	External
Surface / Recessed / Suspended	Wall
Lumen Depreciation	L70 54,000h
Warranty (Years)	3
CE Mark	Yes
Height	291 mm

