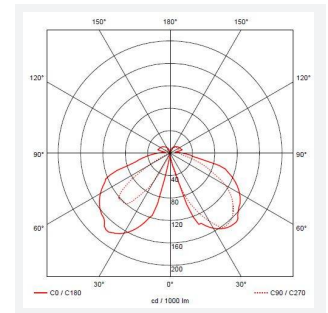
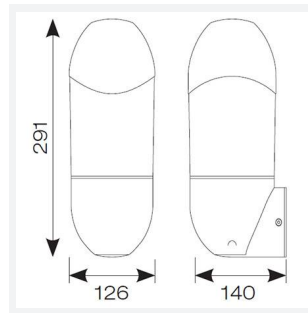
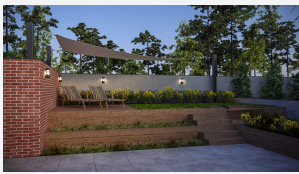




# Leo Lantern Connected by WiZ

Category	Smart Lighting
Application	Hospitality, Outdoor, Residential, Retail
Specification	Architectural

Code: ALEOLED/WL/OCTOW



- Modern styled wall lantern with polycarbonate construction suitable for commercial and residential applications
- White reflector with clear polycarbonate diffuser
- Tunable between 2700K - 6500K via WiZ app and voice control
- Connects directly to your WiFi network using Bluetooth technology to support seamless pairing
- Polycarbonate construction is ideal for coastal applications
- Please consider WiFi signal strength for this product

## GENERAL INFORMATION

Wattage	9W
Lumens Delivered	470lm - 450lm (2700K - 6500K)
Lm/W	52lm/W - 56lm/W (2700K - 6500K)
Beam Angle	130
CRI	80
CCT	2700-6500K
Input	220-240V
Operating Temp	-10°C - 40°C
SDCM	6
Product Weight without Packaging	0.72 kg

## TECHNICAL INFORMATION

Light Source	LED
Colour / Finish	Graphite
IP Rating	IP65
Class Protection	2
Internal / External	External
Surface / Recessed / Suspended	Wall
Lumen Depreciation	L70 36,000h
Warranty (Years)	3
CE Mark	Yes
Height	291 mm

