

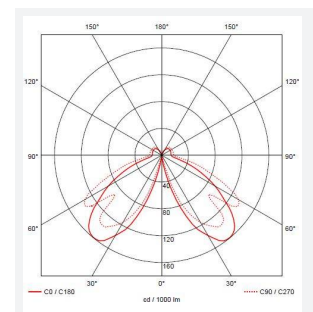
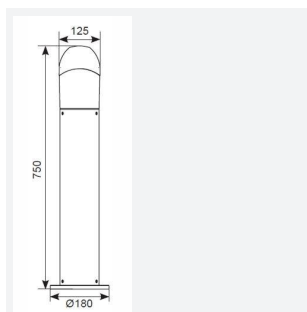


Leo

Category	Bollards
Application	Hospitality, Outdoor, Residential, Retail
Specification	Architectural

Leo CCT Bollard 750mm

Code: ALEOLED/CCT/075/GR



- Modern styled bollard with polycarbonate construction suitable for residential and hospitality applications
- Polycarbonate construction is ideal for coastal applications
- CCT selectable between 3000K and 4000K
- Powered by Tridonic

- White reflector with clear polycarbonate diffuser
- Supplied c/w root mounting kit, can be surface mounted with rawbolts
- Non-dimmable

GENERAL INFORMATION

Wattage	12W
Lumens Delivered	940lm (4000K)
Lm/W	76lm/W (4000K)
Beam Angle	130
CRI	80
CCT	3000/4000K
Input	220-240V
Operating Temp	-10°C - 40°C
SDCM	6
Product Weight without Packaging	1.719 kg

TECHNICAL INFORMATION

Light Source	LED
Colour / Finish	Graphite
IP Rating	IP65
Class Protection	1
Internal / External	External
Surface / Recessed / Suspended	Floor
Lumen Depreciation	L70 36,000h
Warranty (Years)	3
CE Mark	Yes
Diameter	180 mm
Height	750 mm

