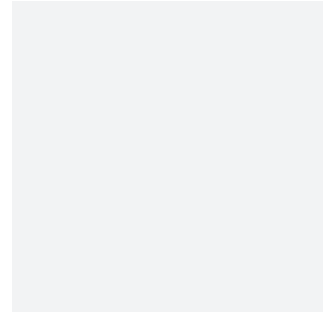
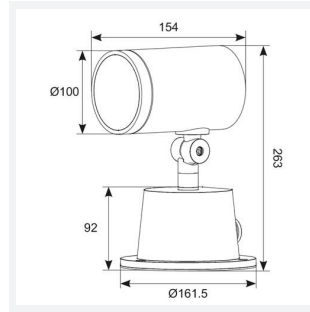




Lazer

Category	Feature Lighting
Application	Hospitality, Outdoor, Retail
Specification	Performance

Lazer Projector 2 Code: ALAZPLED2



- High performance LED projector light suitable for hospitality and retail applications
- Die-cast aluminium construction with textured graphite paint finish
- Non-dimmable
- Push fit loop-in loop-out for ease of installation
- Hood accessory available

GENERAL INFORMATION	
Wattage	24W
Lumens Delivered	2500lm
Lm/W	102lm/W
Beam Angle	30
CRI	90
CCT	3000K
Input	220-240V
Operating Temp	-20°C - 40°C
SDCM	6
Product Weight without Packaging	0.499 kg

TECHNICAL INFORMATION	
Light Source	LED
Colour / Finish	Graphite
IP Rating	IP66
Class Protection	1
Internal / External	External
Surface / Recessed / Suspended	Floor
Lumen Depreciation	L70 50,000h
Warranty (Years)	3
CE Mark	Yes
Height	263 mm
Accessories	ALAZPLED/C, ALAZPLED/H

