

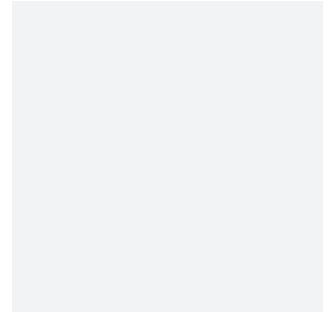
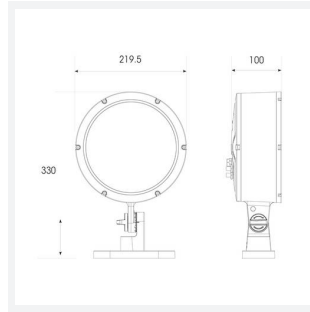
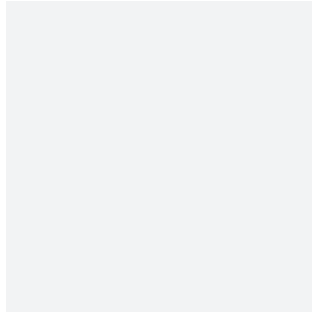


# Kamar Floodlight Ground Spike Accessory

Kamar Floodlight Ground Spike Accessory

Code: AKAR/1/SA

Category	Floodlights
Application	Commercial, Hospitality, Industrial, Retail
Specification	Architectural



## PRODUCT FEATURES

- Kamar Accessory

### GENERAL INFORMATION

Product Weight without Packaging	0.213
----------------------------------	-------

### TECHNICAL INFORMATION

Colour / Finish	Silver
Internal / External	Internal / External
Surface / Recessed / Suspended	Floor
Warranty (Years)	5

