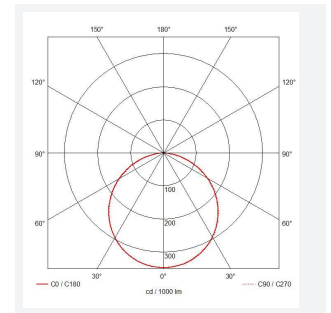
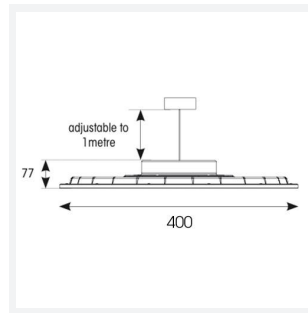




Kala

Kala Round Panel 400mm 3CCT TP(a) (driverless)
Code: AKAL1/1

Category	Pendants
Application	Ancillary, Commercial, Education, Hospitality, Retail
Specification	Architectural



PRODUCT FEATURES

- Architectural circular LED pendant with die-cast housing suitable for residential, hospitality and commercial applications
- Intelligent 2 part construction separates pendant head from suspension, surface and recessing mounting kit accessories (sold separately) ensuring maximum versatility for a diverse range of installation applications
- TPa diffuser as standard
- Please note a suspension kit accessory or surface and recessing kit accessory are required for installation
- CCT selectable between 3000K, 4000K and 6500K
- Suspension kit includes ceiling rose, ensuring a quick and easy installation
- Triac dimmable as standard

GENERAL INFORMATION	
Wattage	25W
Lumens Delivered	2800lm (4000K)
Lm/W	110lm/W
Beam Angle	110
CRI	80
CCT	3000/4000/6500K
Input	33-38V
Operating Temp	-10°C - 45°C
SDCM	6
UGR	28
Cut-Out Size	200-220mm
Product Weight without Packaging	1.16 kg

TECHNICAL INFORMATION	
Light Source	LED
Colour / Finish	White
IP Rating	IP20
Class Protection	3
Internal / External	Internal
Surface / Recessed / Suspended	Ceiling, Recessed, Suspended
Lumen Depreciation	L80 100,000h
Warranty (Years)	5
CE Mark	Yes
Diameter	399 mm
Height	13.8 mm

