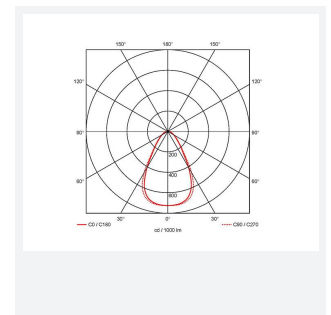
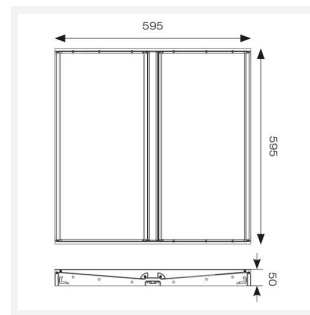
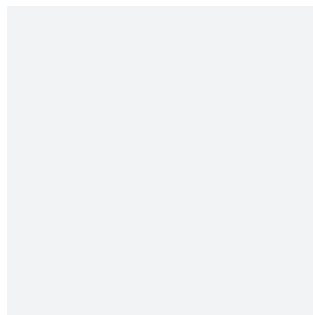
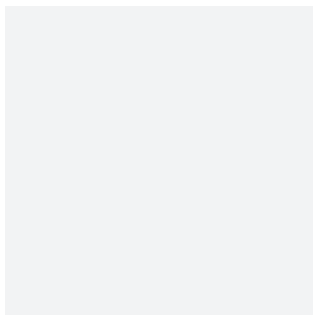


Juno

Juno Recessed Modular Code: AJUNLED

Category	Commercial Panels
Application	Commercial, Education, Healthcare
Specification	Architectural



- Architectural LED recessed modular suitable for education, commercial and healthcare applications
- Dual direct / indirect output. Direct from the centre micro-prism centre line coupled with indirect output from the side diffuser sections. Providing a perfect combination for task and ambient lighting from one source
- Micro-prism diffuser design ensures reduced glare and visual comfort
- Powered by Tridonic
- UGR<19 (unified glare rating) compliant luminaire assisting to eliminate glare for visual comfort
- Black polycarbonate micro reflector low glare design
- OCTO compatible tunable white version available with CCT selection between 2700K-5000K ideal for any Human Centric Lighting requirements
- TPa as standard

GENERAL INFORMATION

Wattage	34W
Lumens Delivered	4400lm
Lm/W	131lm/W
Beam Angle	65
CRI	80
CCT	4000K
Input	220-240V
Operating Temp	-20°C - 40°C
SDCM	4
UGR	17

TECHNICAL INFORMATION

Light Source	LED
Colour / Finish	White
IP Rating	IP40
Class Protection	2
Internal / External	Internal
Surface / Recessed / Suspended	Recessed
Lumen Depreciation	L80 60,000h
Warranty (Years)	5
CE Mark	Yes
Height	50 mm

