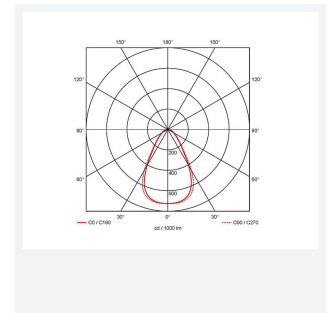
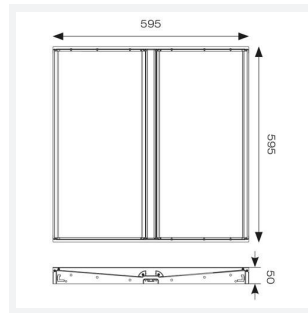


| | |
|---------------|-----------------------------------|
| Category | Commercial Panels |
| Application | Commercial, Education, Healthcare |
| Specification | Architectural |

Juno

Juno Recessed Modular Emergency Code: AJUNLED/M3



PRODUCT FEATURES

- Architectural LED recessed modular suitable for education, commercial and healthcare applications
- Dual direct / indirect output. Direct from the centre micro-prism centre line coupled with indirect output from the side diffuser sections. Providing a perfect combination for task and ambient lighting from one source
- Micro-prism diffuser design ensures reduced glare and visual comfort
- Powered by Tridonic
- UGR<19 (unified glare rating) compliant luminaire assisting to eliminate glare for visual comfort
- Black polycarbonate micro reflector low glare design
- OCTO compatible tunable white version available with CCT selection between 2700K-5000K ideal for any Human Centric Lighting requirements
- TPa as standard

| GENERAL INFORMATION | |
|----------------------------------|------------|
| Wattage | 34W |
| Lumens Delivered | 4400lm |
| Lm/W | 131lm/W |
| Beam Angle | 65 |
| CRI | 80 |
| CCT | 4000K |
| Input | 220/240V |
| Operating Temp | 0°C - 40°C |
| SDCM | 4 |
| UGR | 17 |
| Cut-Out Size | 590x590mm |
| Product Weight without Packaging | 3.372 kg |

| TECHNICAL INFORMATION | |
|--------------------------------|-------------|
| Light Source | LED |
| Colour / Finish | White |
| IP Rating | IP40 |
| Class Protection | 2 |
| Internal / External | Internal |
| Surface / Recessed / Suspended | Recessed |
| Lumen Depreciation | L80 60,000h |
| Warranty (Years) | 5 |
| CE Mark | Yes |
| Height | 50 mm |

