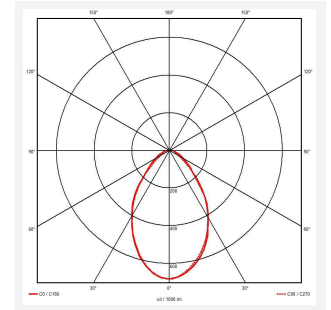
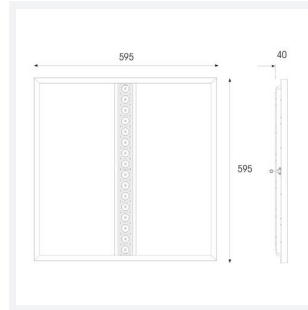
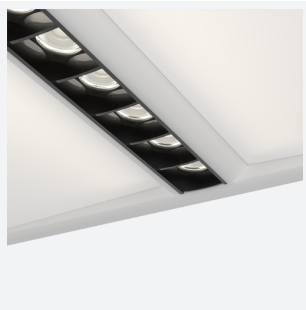


Application Commercial, Education, Retail

Specification Architectural

Juno

Code: AJUN/1/OCTO/DM3



- Architectural LED recessed modular suitable for education, commercial and healthcare applications
- Dual direct / indirect output. Direct from the centre micro-prism line coupled with indirect output from the side diffuser sections. Providing a perfect combination for task and ambient lighting from one source.
- Power and CCT selectable; offering a choice of 4 outputs and 3 colour temperature options, in one luminaire
- TPa as standard
- UGR<19 (unified glare rating) compliant luminaire assisting to eliminate glare for visual comfort
- Black micro reflector and micro-prism diffuser ensure reduced glare and visual comfort
- OCTO compatible tunable white version available with CCT selection between 2700K-5000K ideal for any Human Centric Lighting requirements

GENERAL INFORMATION

Wattage	20W - 36W
Lumens Delivered	2500lm - 4400lm (4000K)
Lm/W	125lm/W (4000K)
Beam Angle	70
CRI	80
CCT	3000K/4000K/6500K
Input	220-240V
Operating Temp	0°C - 45°C
SDCM	6
UGR	18
Cut-Out Size	570*570mm

TECHNICAL INFORMATION

Light Source	LED
Colour / Finish	White
IP Rating	IP40
Class Protection	2
Internal / External	Internal
Surface / Recessed / Suspended	Recessed
Lumen Depreciation	L70 54,000h
Warranty (Years)	5
CE Mark	Yes

