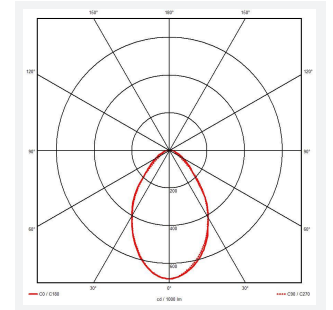
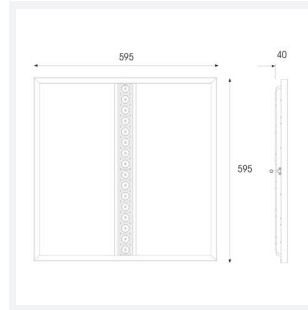
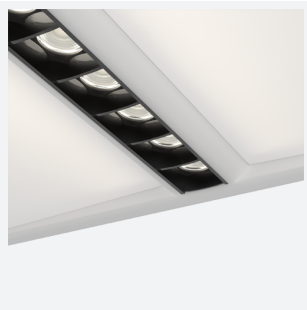


| | |
|----------------------|-------------------------------|
| Application | Commercial, Education, Retail |
| Specification | Architectural |

Juno

Juno Recessed Modular 1-10V
Code: AJUN/1/DD4



PRODUCT FEATURES

- Architectural LED recessed modular suitable for education, commercial and healthcare applications
- Dual direct / indirect output. Direct from the centre micro-prism line coupled with indirect output from the side diffuser sections. Providing a perfect combination for task and ambient lighting from one source.
- Power and CCT selectable; offering a choice of 4 outputs and 3 colour temperature options, in one luminaire
- TPa as standard
- UGR<19 (unified glare rating) compliant luminaire assisting to eliminate glare for visual comfort
- Black micro reflector and micro-prism diffuser ensure reduced glare and visual comfort
- OCTO compatible tunable white version available with CCT selection between 2700K-5000K ideal for any Human Centric Lighting requirements

GENERAL INFORMATION

| | |
|------------------|-------------------------|
| Wattage | 20W - 36W |
| Lumens Delivered | 2500lm - 4400lm (4000K) |
| Lm/W | 125lm/W (4000K) |
| Beam Angle | 70 |
| CRI | 80 |
| CCT | 3000K/4000K/6500K |
| Input | 220/240V |
| Operating Temp | -10°C - 45°C |
| SDCM | 6 |
| UGR | 18 |
| Cut-Out Size | 570*570mm |

TECHNICAL INFORMATION

| | |
|--------------------------------|-------------|
| Light Source | LED |
| Colour / Finish | White |
| IP Rating | IP40 |
| Class Protection | 2 |
| Internal / External | Internal |
| Surface / Recessed / Suspended | Recessed |
| Lumen Depreciation | L70 54,000h |
| Warranty (Years) | 5 |
| CE Mark | Yes |

