

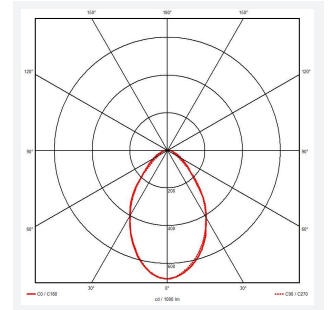
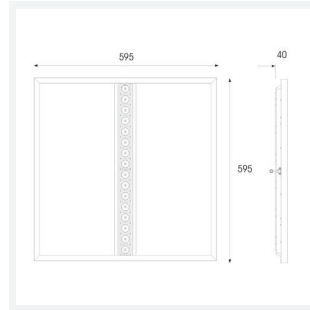
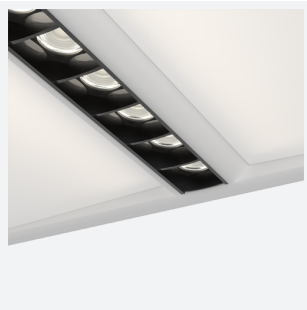
**Application** Commercial, Education, Retail

**Specification** Architectural

# Juno

## Juno Recessed Modular DALI

**Code:** AJUN/1/DD3



### PRODUCT FEATURES

- Architectural LED recessed modular suitable for education, commercial and healthcare applications
- Dual direct / indirect output. Direct from the centre micro-prism line coupled with indirect output from the side diffuser sections. Providing a perfect combination for task and ambient lighting from one source.
- Power and CCT selectable; offering a choice of 4 outputs and 3 colour temperature options, in one luminaire
- TPa as standard
- UGR<19 (unified glare rating) compliant luminaire assisting to eliminate glare for visual comfort
- Black micro reflector and micro-prism diffuser ensure reduced glare and visual comfort
- OCTO compatible tunable white version available with CCT selection between 2700K-5000K ideal for any Human Centric Lighting requirements

### GENERAL INFORMATION

|                  |                         |
|------------------|-------------------------|
| Wattage          | 20W - 36W               |
| Lumens Delivered | 2500lm - 4400lm (4000K) |
| Lm/W             | 125lm/W (4000K)         |
| Beam Angle       | 70                      |
| CRI              | 80                      |
| CCT              | 3000K/4000K/6500K       |
| Input            | 220/240V                |
| Operating Temp   | -10°C - 45°C            |
| SDCM             | 6                       |
| UGR              | 18                      |
| Cut-Out Size     | 570*570mm               |

### TECHNICAL INFORMATION

|                                |             |
|--------------------------------|-------------|
| Light Source                   | LED         |
| Colour / Finish                | White       |
| IP Rating                      | IP40        |
| Class Protection               | 2           |
| Internal / External            | Internal    |
| Surface / Recessed / Suspended | Recessed    |
| Lumen Depreciation             | L70 54,000h |
| Warranty (Years)               | 5           |
| CE Mark                        | Yes         |

