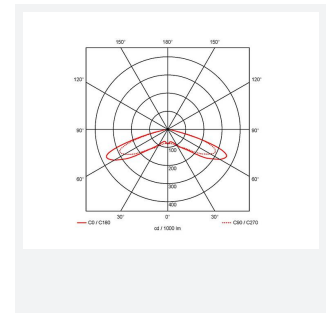
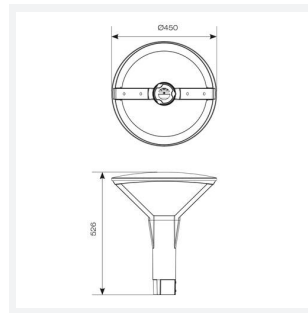
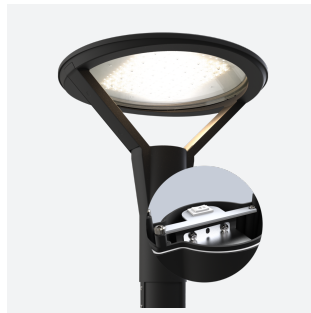




# Helix

Helix CCT Post Top 2  
Code: AHPTLED/2

Category	Streetlights
Application	Commercial, Education, Healthcare, Hospitality, Outdoor, Retail
Specification	Architectural



- Modern die-cast aluminium post top lantern Ideal for large carparks and large open areas
- Electrostatic paint finish for enhanced corrosion resistance
- Suitable for residential and commercial use
- CCT selectable between 3000K and 4000K
- Advanced lens technology providing optimum performance and control.
- 76mm spigot bracket

GENERAL INFORMATION	
Wattage	75W
Lumens Delivered	8500lm (4000K)
Lm/W	114lm/W (4000K)
Beam Angle	145
CRI	70
CCT	3000/4000K
Input	220-240V
Operating Temp	-30°C - 50°C
SDCM	4
Product Weight without Packaging	7.939 kg

TECHNICAL INFORMATION	
Light Source	LED
Colour / Finish	Black
IP Rating	IP66
Class Protection	1
Internal / External	External
Surface / Recessed / Suspended	Pole
Lumen Depreciation	L80 100,000h
Warranty (Years)	5
CE Mark	Yes
Diameter	450 mm
Height	526 mm
Accessories	AHPTLED/60SBA

