

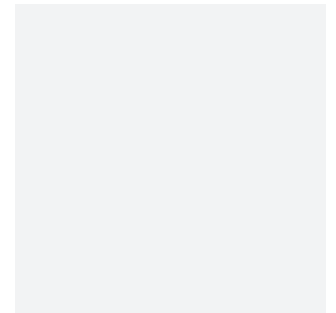
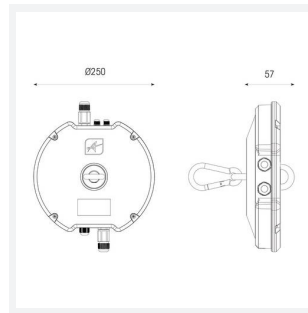
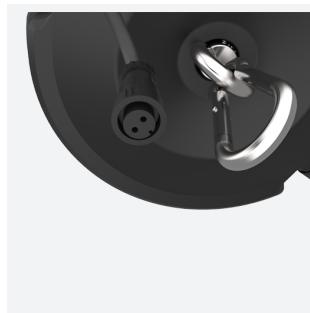


Hawk Highbay Emergency Pack

Hawk Highbay Emergency Pack

Code: AHHB/1

Application	Industrial
Specification	Performance



- Plug and play Self-Test emergency pack to convert Z LED Performance highbay to emergency, instantly
- Designed to sit above highbay providing a minimal and discrete appearance
- Plug and play connection ensures a quick and easy installation
- IP65 as standard

GENERAL INFORMATION

Wattage	5W
Beam Angle	120
Input	220-240V
Operating Temp	-20°C to 40°C
Product Weight without Packaging	1.154 kg

TECHNICAL INFORMATION

Light Source	LED
Colour / Finish	Black
IP Rating	IP65
Class Protection	1
Internal / External	Internal / External
Warranty (Years)	5
CE Mark	Yes
Height	25 mm

