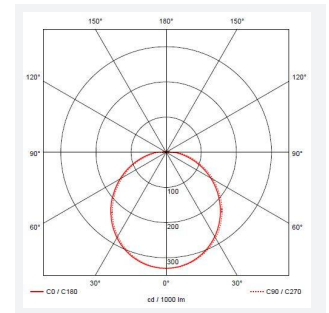
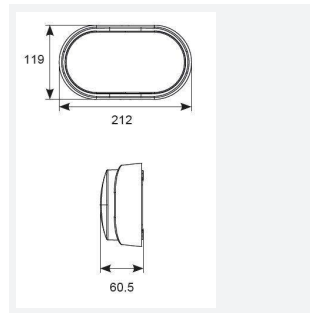




Helder Oval

Helder CCT Oval Bulkhead White PIR
Code: AHELED/OW/PIR

Category	Bulkheads
Application	Ancillary, Hospitality, Outdoor, Residential, Retail
Specification	Performance



PRODUCT FEATURES

- All polycarbonate oval bulkhead suitable for external semi-commercial and residential applications
- CCT selectable between 3000K, 4000K and 6500K
- Polycarbonate opal diffuser
- Fast loop-in / loop-out connections
- Body options of black or white
- Non-dimmable

GENERAL INFORMATION	
Wattage	13W
Lumens Delivered	1100lm (4000K)
Lm/W	96lm/W (4000K)
Beam Angle	110
CRI	80
CCT	3000/4000/6500K
Input	220-240V
Operating Temp	-5°C - 25°C
SDCM	6
Product Weight without Packaging	0.308 kg

TECHNICAL INFORMATION	
Light Source	LED
Colour / Finish	White
IP Rating	IP54
Class Protection	2
Internal / External	External
Surface / Recessed / Suspended	Ceiling, Wall
Lumen Depreciation	L80 54,000h
Warranty (Years)	2
CE Mark	Yes

