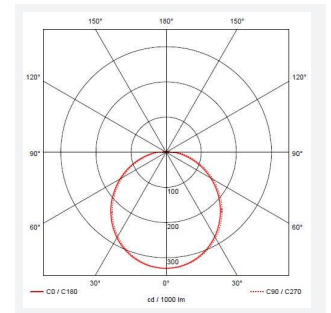
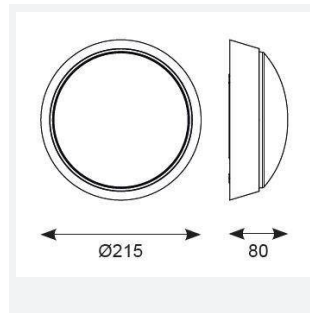




Helder Circular

Helder CCT Circular Bulkhead PIR Black PIR
Code: AHELED/CB/PIR

| | |
|---------------|--|
| Category | Bulkheads |
| Application | Ancillary, Hospitality, Outdoor, Residential, Retail |
| Specification | Performance |



PRODUCT FEATURES

- All polycarbonate circular bulkhead suitable for external semi-commercial and residential applications
- CCT selectable between 3000K, 4000K and 6500K
- Polycarbonate opal diffuser
- Fast loop-in / loop-out connections
- Body options of black or white with eyelid cover
- Non-dimmable

| GENERAL INFORMATION | |
|----------------------------------|-----------------|
| Wattage | 12.5W |
| Lumens Delivered | 1100lm (4000K) |
| Lm/W | 88lm/W (4000K) |
| Beam Angle | 110 |
| CRI | 80 |
| CCT | 3000/4000/6000K |
| Input | 220/240V |
| Operating Temp | -5°C - 25°C |
| SDCM | 6 |
| Product Weight without Packaging | 0.413 kg |

| TECHNICAL INFORMATION | |
|--------------------------------|---------------|
| Light Source | LED |
| Colour / Finish | Black |
| IP Rating | IP54 |
| Class Protection | 2 |
| Internal / External | External |
| Surface / Recessed / Suspended | Ceiling, Wall |
| Lumen Depreciation | L80 54,000h |
| Warranty (Years) | 2 |
| CE Mark | Yes |
| Diameter | 215 mm |

