

Category	Emergency
Application	Ancillary, Industrial
Specification	Performance

Harrier

Harrier IP65 Blade Exit Sign

Code: AHARLED/3M/ST



PRODUCT FEATURES

- Self-test as standard
- Aesthetically designed for modern appearance
- High output LED performance and distribution allows maximum spacing providing reduced cost
- Optional hanging blade legends (supplied with self-adhesive legend as standard) for enhanced appearance
- 20mm side and rear cable entries

GENERAL INFORMATION

Lumens Delivered	130lm (Standard)
Beam Angle	110
CRI	70
CCT	6500K
Input	220-240V
Operating Temp	0°C - 40°C
SDCM	6
Product Weight without Packaging	0.54 kg

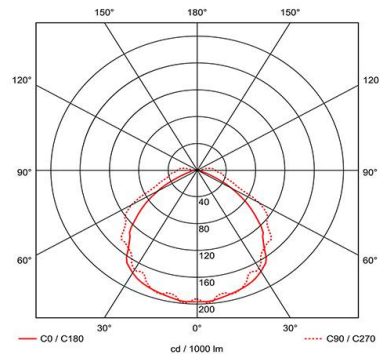
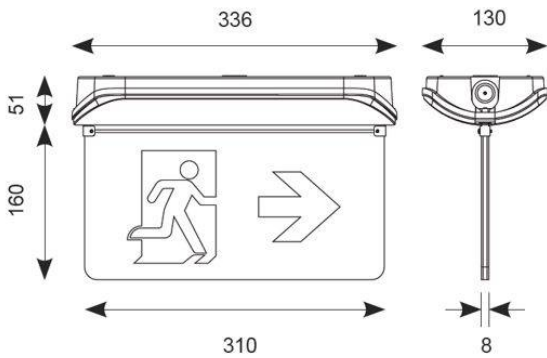
TECHNICAL INFORMATION

Light Source	LED
Colour / Finish	White
IP Rating	IP65
Class Protection	1
Internal / External	Internal / External
Surface / Recessed / Suspended	Ceiling, Wall
Lumen Depreciation	L70 50,000h
Warranty (Years)	5
CE Mark	Yes
Height	51 mm
Accessories	AHARLED/L/ALAR, AHARLED/L/AD, AHARLED/L/AU
Emergency Output Duration	3 Hr

Category	Emergency
Application	Ancillary, Industrial
Specification	Performance

Harrier

Harrier IP65 Blade Exit Sign
Code: AHARLED/3M/ST



ACCESSORIES

AHARLED/ALAR	Harrier IP65 Blade Exit Sign Double Sided Legend Arrow Left and Right
AHARLED/L/AD	Harrier IP65 Blade Exit Sign Double Sided Legend Arrow Down
AHARLED/L/AU	Harrier IP65 Blade Exit Sign Double Sided Legend Arrow Up

SPARES

ASBP/5/LI	3.2V 1500mAh Li-FeP04 Replacement Battery
-----------	---