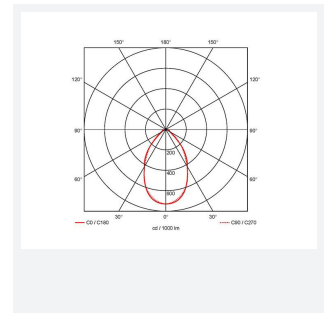
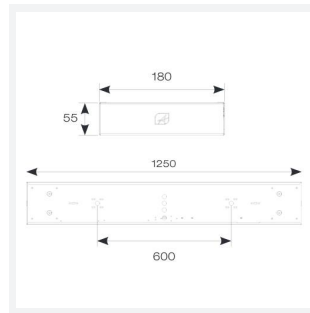
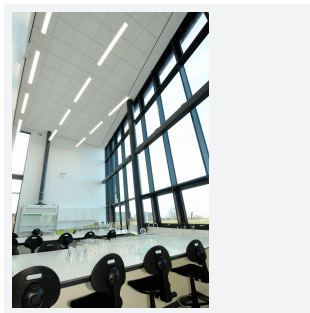


Gemini

Gemini CCT Surface/Suspended Linear 1200mm
Code: AGELED4/DD3

| | |
|---------------|-------------------|
| Category | Commercial Linear |
| Application | Ancillary, Retail |
| Specification | Performance |



PRODUCT FEATURES

- High specification fully enclosed linear luminaire suitable for most commercial and educational applications
- Microprism diffuser for enhanced photometric performance
- CCT selectable between 3000K and 4000K and power selectable; offering a choice of 2 outputs, in one luminaire
- Powered by Philips
- Push pin release design feature ensures a quick and easy installation
- Robust steel construction
- Suitable for surface and suspension

| GENERAL INFORMATION | |
|----------------------------------|-------------------------|
| Wattage | 21W - 35W |
| Lumens Delivered | 2900lm - 4700lm (4000K) |
| Lm/W | 135lm/W (4000K) |
| Beam Angle | 70 |
| CRI | 80 |
| CCT | 3000/4000K |
| Input | 220/240V |
| Operating Temp | -20°C - 50°C |
| SDCM | 3 |
| UGR | 18 |
| Product Weight without Packaging | 4.953 kg |

| TECHNICAL INFORMATION | |
|--------------------------------|--------------------|
| Light Source | LED |
| Colour / Finish | White |
| IP Rating | IP20 |
| Class Protection | 1 |
| Internal / External | Internal |
| Surface / Recessed / Suspended | Ceiling, Suspended |
| Lumen Depreciation | L70 54,000h |
| Warranty (Years) | 5 |
| CE Mark | Yes |
| Height | 55 mm |

