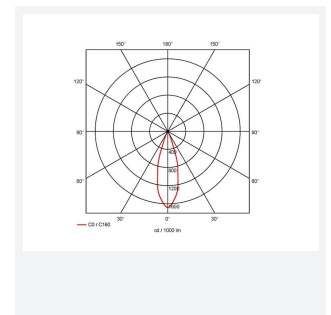
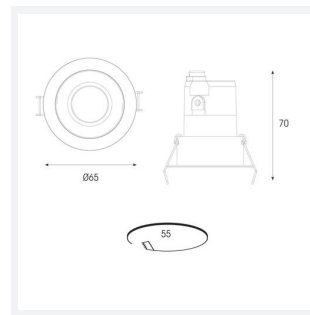
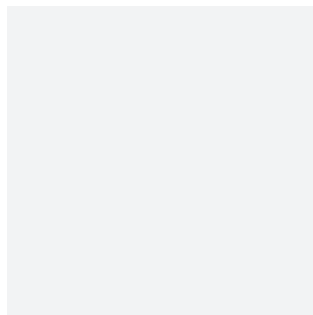
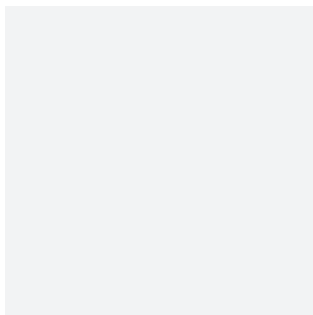




Unity GC Pro

Application	Ancillary, Commercial, Hospitality, Residential, Retail
Specification	Architectural

Code: AGCP2/1/WW/DD1



- Compact high performance architectural adjustable downlight suitable for residential applications
- Die-cast aluminium construction, powder coated
- Remote driver with plug and play connection
- Deep cut-off angle for glare control and comfort
- Mirror finished anodized reflector for optimum light control

GENERAL INFORMATION	
Wattage	7W
Lumens Delivered	280lm
Lm/W	40lm/W
Beam Angle	30
CRI	95
CCT	3000K
Input	220-240V
Operating Temp	-20 ° -25 °
SDCM	3
UGR	10
Cut-Out Size	50
Product Weight without Packaging	0.394 kg

TECHNICAL INFORMATION	
Light Source	LED
Colour / Finish	White
IP Rating	IP44
Class Protection	2
Internal / External	Internal
Surface / Recessed / Suspended	Recessed
Lumen Depreciation	L80 54,000h
Warranty (Years)	5
CE Mark	Yes
Diameter	65 mm

