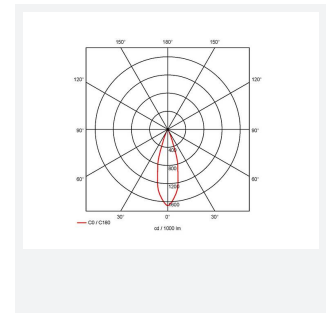
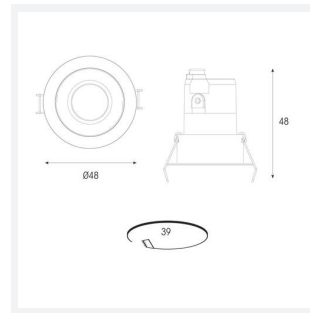




Unity GC Pro

Application	Ancillary, Commercial, Hospitality, Residential, Retail
Specification	Architectural

Unity GC Pro 1 Fixed Downlight Cool White
Code: AGCP1/1/CW



PRODUCT FEATURES

- Compact high performance architectural adjustable downlight suitable for residential applications
- Die-cast aluminium construction, powder coated
- Remote driver with plug and play connection
- Deep cut-off angle for glare control and comfort
- Mirror finished anodized reflector for optimum light control

GENERAL INFORMATION	
Wattage	3W
Lumens Delivered	140lm
Lm/W	47lm/W
Beam Angle	30
CRI	95
CCT	4000K
Input	220-240V
Operating Temp	-20 ° -25 °
SDCM	3
UGR	10
Cut-Out Size	40
Energy efficiency class	F

TECHNICAL INFORMATION	
Light Source	LED
Colour / Finish	White
IP Rating	IP44
Class Protection	2
Internal / External	Internal
Surface / Recessed / Suspended	Recessed
Warranty (Years)	5
CE Mark	Yes
Diameter	50 mm
Height	53 mm

