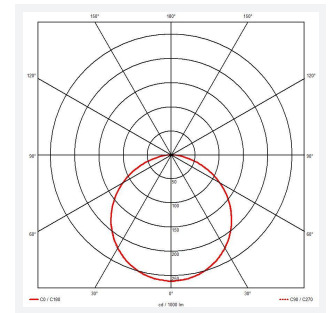
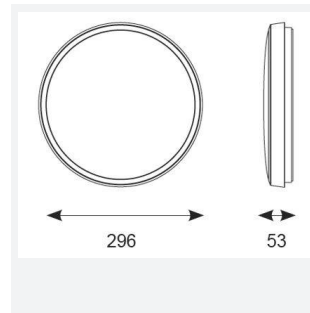




Gamma

Gamma CCT
Code: AGAMLED/CCT

Category	Bulkheads
Application	Ancillary, Commercial, Hospitality, Residential, Retail
Specification	Performance



PRODUCT FEATURES

- Ultra slim modern polycarbonate wall/ceiling light suitable for education and residential applications and ancillary areas
- CCT selectable between 3000K and 4000K
- Microwave sensor set to 15 minutes at 3 metres (non-adjustable)
- /MWS and MWS/M3 has integral photocell isolation switch
- Matt white finish to body and diffuser with optional chrome trim ring
- Rear fixing bracket and terminal housing for ease of installation
- /MWS and /MWS/M3 versions operate as Primary and can be used in conjunction with standard Secondary
- Non-dimmable

GENERAL INFORMATION	
Wattage	17W
Lumens Delivered	1800lm (4000K)
Lm/W	106lm/W (4000K)
Beam Angle	110
CRI	80
CCT	3000/4000K
Input	220-240V
Operating Temp	-5°C - 35°C
SDCM	6
Product Weight without Packaging	1.053 kg

TECHNICAL INFORMATION	
Light Source	LED
Colour / Finish	Matt White
IP Rating	IP54
Class Protection	2
Internal / External	Internal / External
Surface / Recessed / Suspended	Ceiling, Wall
Lumen Depreciation	L70 54,000h
Warranty (Years)	3
CE Mark	Yes
Diameter	296 mm
Accessories	AGAMLEDBZ/CH

