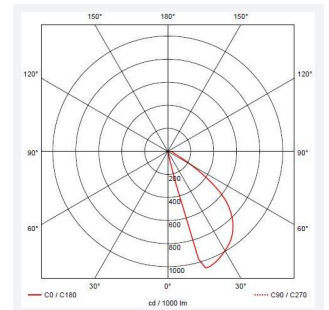
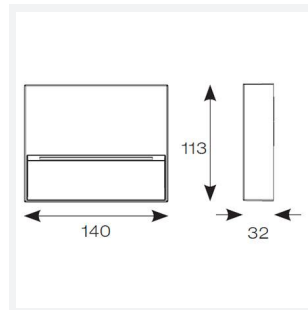
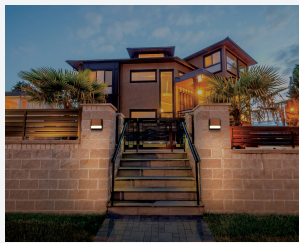




Galia Mini

Galia Mini CCT Concrete
Code: AGALIA/MINI/CONC

Category	Wall Lights
Application	Hospitality, Outdoor, Residential, Retail
Specification	Architectural



- Surface mounting ultra-slim low level square pathway light with downward light suitable for residential, hospitality and commercial applications
- Two sizes available; Mini and Maxi
- Selectable CCT between 3000K and 4000K
- Non-dimmable
- Die-cast aluminium construction with textured graphite paint finish
- Push-fit loop-in, loop-out terminals for ease and speed of installation
- Modern concrete and rust cover options available

GENERAL INFORMATION

Wattage	4W
Lumens Delivered	120lm (4000K)
Lm/W	30lm (4000K)
Beam Angle	20/100
CRI	80
CCT	3000/4000K
Input	220-240V
Operating Temp	-20°C - 40°C
SDCM	6
Product Weight without Packaging	0.4 kg

TECHNICAL INFORMATION

Light Source	LED
Colour / Finish	Concrete
IP Rating	IP65
Class Protection	1
Internal / External	External
Surface / Recessed / Suspended	Wall
Lumen Depreciation	L70 59,000h
Warranty (Years)	3
CE Mark	Yes
Height	113 mm

