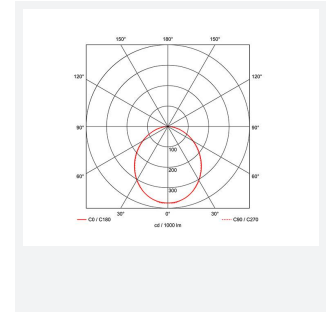
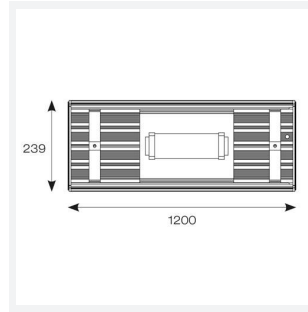
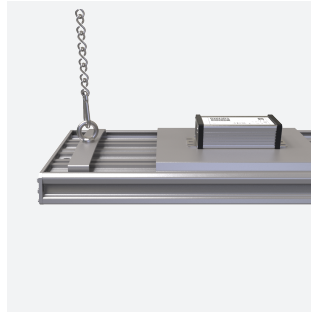


# ForceLINE

ForceLINE Linear 1200mm OCTO Smart Control  
Code: AFLLED4/OCTO/M3

Category	High/Low Bay
Application	Industrial
Specification	Performance



## PRODUCT FEATURES

- Powerful and robust IP65 low/high bay suitable for industrial applications
- Die-cast aluminium construction provides enhanced thermal performance for longer LED lifespan
- Powered by Philips
- Mounting brackets supplied as standard for droptop or chain/wire installation (suspension kit not included)
- Anti-glare polycarbonate diffuser maximises performance and light output

GENERAL INFORMATION	
Wattage	240W
Lumens Delivered	31000lm
Lm/W	130lm/W
Beam Angle	105
CRI	80
CCT	4000K
Input	220/240V
Operating Temp	0°C - 25°C
SDCM	5
Product Weight without Packaging	10.29 kg

TECHNICAL INFORMATION	
Light Source	LED
Colour / Finish	Graphite
IP Rating	IP65
Class Protection	1
Internal / External	Internal / External
Surface / Recessed / Suspended	Suspended
Lumen Depreciation	L80 60,000h
Warranty (Years)	5
CE Mark	Yes
Height	104 mm

