



Category	Feature Lighting
Application	Outdoor, Residential, Retail
Specification	Architectural

Fidenza

Fidenza Bricklight
Code: AFBILLED

PRODUCT FEATURES

- Recessed bricklight light suitable for commercial and residential applications
- Toughened front frosted glass
- Optional grill and hood front covers
- Non-dimmable
- Die-cast aluminium housing and front cover
- Metal back box with cable entries for ease of installation
- CCT selectable between 3000K and 4000K

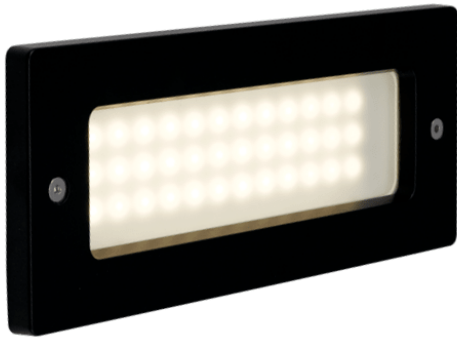
GENERAL INFORMATION

Wattage	2
Lumens Delivered	150lm
Lm/W	66lm/W
Beam Angle	80/95
CRI	80
CCT	3000K/4000K
Input	220-240V
Operating Temp	-20°C - 25°C
SDCM	3
Cut-Out Size	187x67
Energy efficiency class	C
Product Weight without Packaging	0.767 kg

TECHNICAL INFORMATION

Light Source	LED
Colour / Finish	Black
IP Rating	IP65
Class Protection	1
Internal / External	External
Surface / Recessed / Suspended	Recessed
Warranty (Years)	3
CE Mark	Yes
Height	85 mm

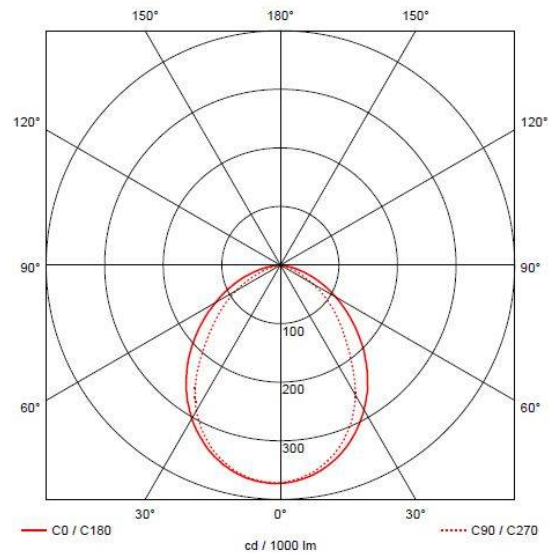
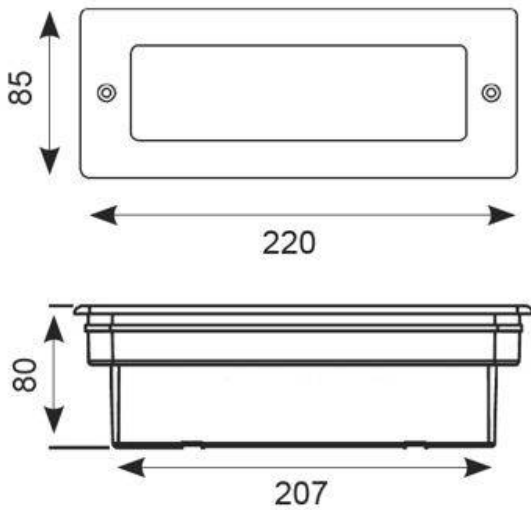




Category	Feature Lighting
Application	Outdoor, Residential, Retail
Specification	Architectural

Fidenza

Fidenza Bricklight
Code: AFBLLLED



ACCESSORIES

AFBL/GRILL	Fidenza 4000K LED Bricklight Front Grill Cover
AFBL/EYE	Fidenza LED Bricklight Front Eyelid Cover

