

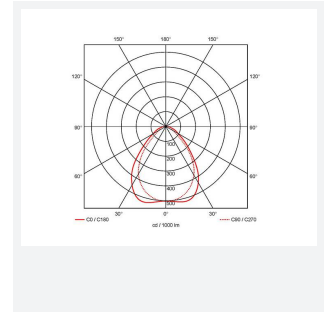
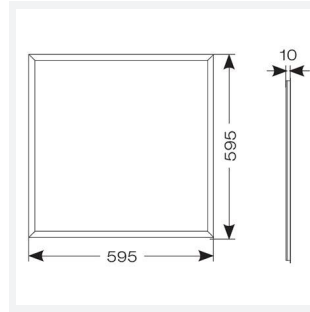
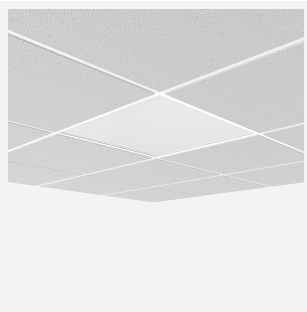


# Endurance UGR<19 600x600

Endurance TP(a) UGR<19 600x600 Panel Daylight

Code: AERMLED3/60/DL

Category	Commercial Panels
Application	Ancillary, Commercial, Education, Healthcare, Retail
Specification	Performance



## PRODUCT FEATURES

- Edge lit LED panel suitable for education, commercial and ancillary area applications
- Cool white, warm white and daylight options
- TPa as standard
- UGR<19 (unified glare rating) compliant luminaire assisting to eliminate glare for visual comfort
- White anodised aluminium frame for visual compatibility with ceiling grid
- Surface mounting frame option

GENERAL INFORMATION	
Wattage	31W
Lumens Delivered	3500lm
Lm/W	112lm/W
Beam Angle	80
CRI	80
CCT	6000K
Input	220-240V
Operating Temp	-20? to 40?
SDCM	6
UGR	17
Product Weight without Packaging	2.1 kg

TECHNICAL INFORMATION	
Light Source	LED
Colour / Finish	White
IP Rating	IP40
Class Protection	2
Internal / External	Internal
Surface / Recessed / Suspended	Ceiling, Recessed, Suspended
Lumen Depreciation	L80 76,000h
Warranty (Years)	5
CE Mark	Yes
Accessories	AERMLED/SK, AERMLED/60/SMF, AERMLED/60/CGCB/KIT, APRK/60

