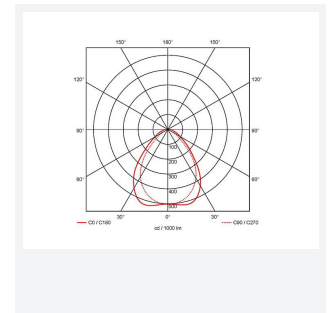
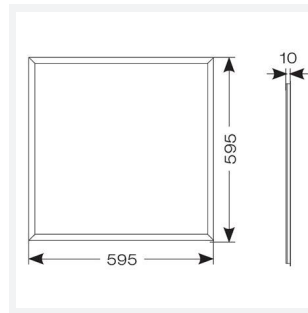
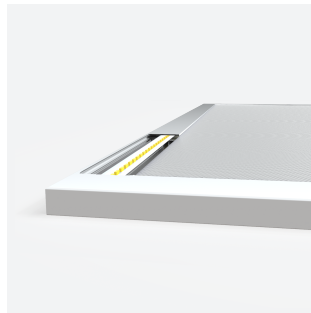
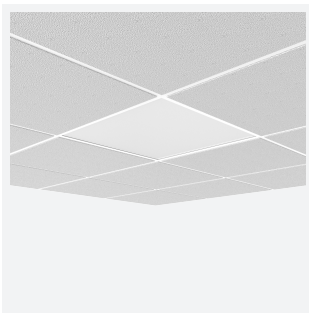




Endurance UGR<19 600x600

Endurance TP(a) UGR<19 600x600 Panel DSI
Code: AERMLED3/60/DL/DD2

| | |
|---------------|--|
| Category | Commercial Panels |
| Application | Ancillary, Commercial, Education, Healthcare, Retail |
| Specification | Performance |



PRODUCT FEATURES

- Edge lit LED panel suitable for education, commercial and ancillary area applications
- Cool white, warm white and daylight options
- Low glare and even light distribution for multiple applications
- Surface mounting frame option
- UGR<19 (unified glare rating) compliant luminaire assisting to eliminate glare for visual comfort
- White anodised aluminium frame for visual compatibility with ceiling grid
- TPa as standard
- Powered by Tridonic

| GENERAL INFORMATION | |
|----------------------------------|--------------|
| Wattage | 30W |
| Lumens Delivered | 3500lm |
| Lm/W | 112lm/W |
| Beam Angle | 80 |
| CRI | 80 |
| CCT | 6500K |
| Input | 220/240V |
| Operating Temp | -20°C - 40°C |
| SDCM | 4 |
| UGR | 17 |
| Cut-Out Size | 585x585mm |
| Product Weight without Packaging | 2.734 kg |

| TECHNICAL INFORMATION | |
|--------------------------------|--|
| Light Source | LED |
| Colour / Finish | White |
| IP Rating | IP40 |
| Class Protection | 2 |
| Internal / External | Internal |
| Surface / Recessed / Suspended | Ceiling, Recessed, Suspended |
| Lumen Depreciation | L80 76,000h |
| Warranty (Years) | 5 |
| CE Mark | Yes |
| Accessories | AERMLED/SK, AERMLED/60/SMF, AERMLED/60/CGCB/KIT, APRK/60 |

