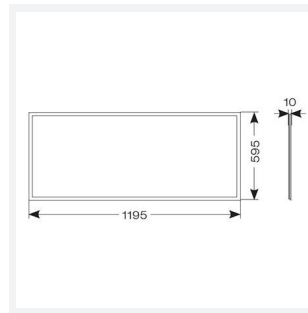
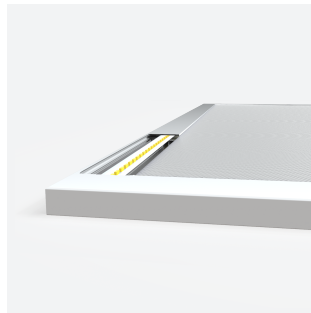




Endurance UGR<19 1200x600

Endurance TP(a) UGR<19 1200x600 Panel Switch
Code: AERMLED3/120/WW/DD1

Category	Commercial Panels
Application	Ancillary, Commercial, Education, Healthcare, Retail
Specification	Performance



PRODUCT FEATURES

- Edge lit LED panel suitable for education, commercial and ancillary area applications
- Cool white, warm white and daylight options
- Low glare and even light distribution for multiple applications
- Powered by Tridonic
- UGR<19 (unified glare rating) compliant luminaire assisting to eliminate glare for visual comfort
- White anodised aluminium frame for visual compatibility with ceiling grid
- Surface mounting frame option
- TP(a) as standard

GENERAL INFORMATION	
Wattage	60W
Lumens Delivered	5400lm
Lm/W	90lm/W
Beam Angle	80
CRI	80
CCT	3000K
Input	220/240V
Operating Temp	-20°C - 40°C
SDCM	4
UGR	17
Cut-Out Size	585x1185mm
Product Weight without Packaging	4.767 kg

TECHNICAL INFORMATION	
Light Source	LED
Colour / Finish	White
IP Rating	IP44
Class Protection	2
Internal / External	Internal
Surface / Recessed / Suspended	Recessed, Surface
Lumen Depreciation	L80 76,000h
Warranty (Years)	5
CE Mark	Yes
Accessories	AERMLED/120/SMF, APRK/120

