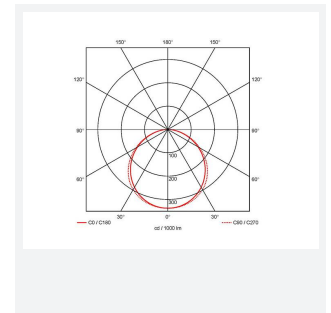
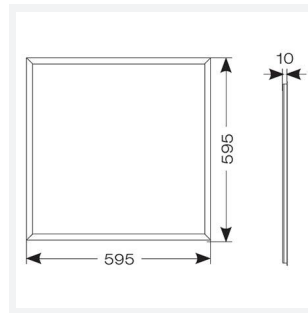
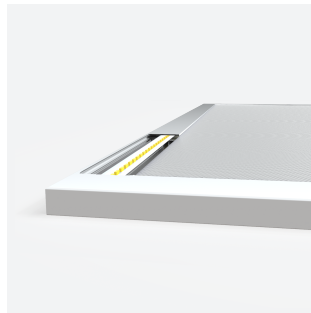




# Endurance 600x600

Endurance TP(a) 600x600 Panel DSI Warm White  
**Code: AERMLED2/60/WW/DD2**

|               |  |
|---------------|--|
| Category      | Commercial Panels                                    |
| Application   | Ancillary, Commercial, Education, Healthcare, Retail |
| Specification | Performance  |



## PRODUCT FEATURES

- Edge lit LED panel suitable for education, commercial and ancillary area applications
- White anodised aluminium frame for visual compatibility with ceiling grid
- Surface mounting frame option
- TP(a) as standard
- Cool white, warm white and daylight options
- Self-Test Panel Pod and Sensor Pod compatible
- Powered by Tridonic

| GENERAL INFORMATION              |              |
|----------------------------------|--------------|
| Wattage                          | 30W          |
| Lumens Delivered                 | 2900lm       |
| Lm/W                             | 96lm/W       |
| Beam Angle                       | 110          |
| CRI                              | 80           |
| CCT                              | 3000K        |
| Input                            | 220-240V     |
| Operating Temp                   | -20°C - 40°C |
| SDCM                             | 4            |
| UGR                              | 21           |
| Cut-Out Size                     | 585x585mm    |
| Product Weight without Packaging | 2.59 kg      |

| TECHNICAL INFORMATION          |  |
|--------------------------------|--|
| Light Source                   | LED  |
| Colour / Finish                | White  |
| IP Rating                      | IP44   |
| Class Protection               | 2  |
| Internal / External            | Internal   |
| Surface / Recessed / Suspended | Recessed, Surface, Suspended                             |
| Lumen Depreciation             | L80 76,000h  |
| Warranty (Years)               | 5  |
| CE Mark                        | Yes  |
| Accessories                    | AERMLED/SK, AERMLED/60/SMF, AERMLED/60/CGCB/KIT, APRK/60 |

