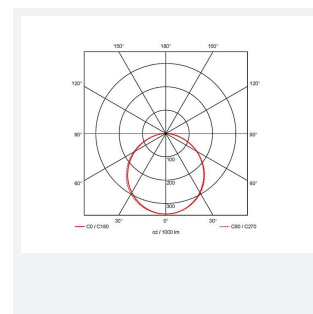
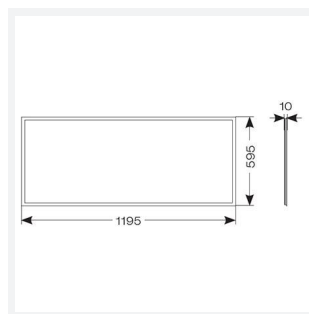
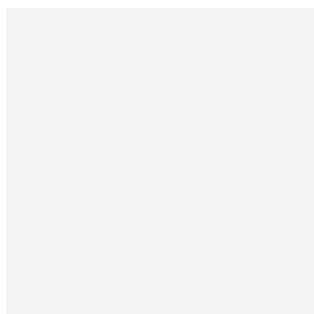
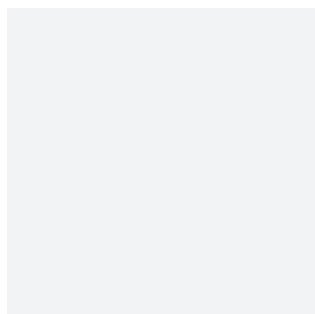


Endurance 1200x600

Endurance TP(a) 1200x600 Panel Daylight
Code: AERMLED2/120/DL

Category	Commercial Panels
Application	Ancillary, Commercial, Education, Healthcare, Retail
Specification	Performance



PRODUCT FEATURES

- Edge lit LED panel suitable for education, commercial and ancillary area applications
- White anodised aluminium frame for visual compatibility with ceiling grid
- TPa as standard
- Self-Test Panel Pod and Sensor Pod compatible
- Cool white, warm white and daylight options
- Surface mounting frame option
- Switch Dim, DALI and 0-10V dimming capability using the multi dimmable driver accessories ADDIM/60/MC

GENERAL INFORMATION	
Wattage	60W
Lumens Delivered	5300lm
Lm/W	87lm/W
Beam Angle	110
CRI	80
CCT	6000K
Input	220/240V
Operating Temp	-20? to 40?
SDCM	6
UGR	20
Product Weight without Packaging	4.75 kg

TECHNICAL INFORMATION	
Light Source	LED
Colour / Finish	White
IP Rating	IP40
Class Protection	2
Internal / External	Internal
Surface / Recessed / Suspended	Recessed, Surface
Lumen Depreciation	L80 76,000h
Warranty (Years)	5
CE Mark	Yes
Accessories	AERMLED/120/SMF, APRK/120

