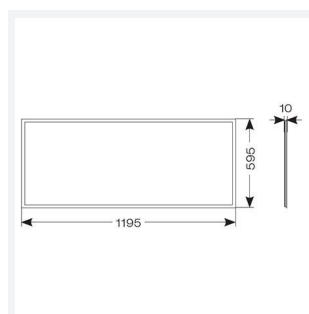
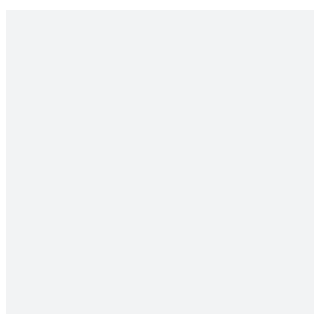
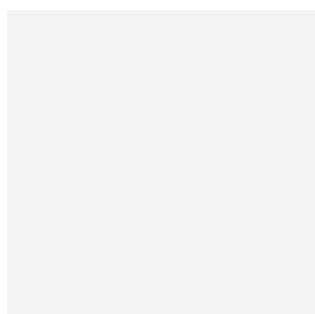


Endurance 1200x600

Endurance TP(a) 1200x600 Panel Switch Dim
Code: AERMLED2/120/DL/DD1

| | |
|---------------|--|
| Category | Commercial Panels |
| Application | Ancillary, Commercial, Education, Healthcare, Retail |
| Specification | Performance |



PRODUCT FEATURES

- Edge lit LED panel suitable for education, commercial and ancillary area applications
- White anodised aluminium frame for visual compatibility with ceiling grid
- Surface mounting frame option
- TP(a) as standard
- Cool white, warm white and daylight options
- Low glare and even light distribution for multiple applications
- Powered by Tridonic

GENERAL INFORMATION

| | |
|----------------------------------|--------------|
| Wattage | 60W |
| Lumens Delivered | 5300lm |
| Lm/W | 87lm/W |
| Beam Angle | 110 |
| CRI | 80 |
| CCT | 6500K |
| Input | 220/240V |
| Operating Temp | -20°C - 40°C |
| SDCM | 4 |
| UGR | 20 |
| Cut-Out Size | 585x1185mm |
| Product Weight without Packaging | 4.87 kg |

TECHNICAL INFORMATION

| | |
|--------------------------------|---------------------------|
| Light Source | LED |
| Colour / Finish | White |
| IP Rating | IP40 |
| Class Protection | 2 |
| Internal / External | Internal |
| Surface / Recessed / Suspended | Recessed, Surface |
| Lumen Depreciation | L80 76,000h |
| Warranty (Years) | 5 |
| CE Mark | Yes |
| Accessories | AERMLED/120/SMF, APRK/120 |

