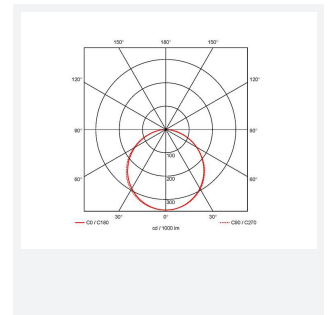
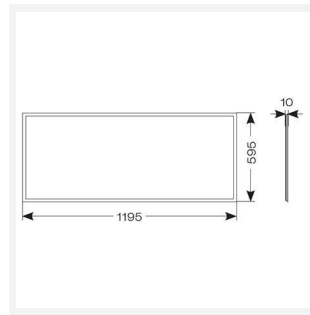




# Endurance 1200x600

Endurance TP(a) 1200x600 Panel Switch Dim  
Code: AERMLED2/120/CW/DD1

Category	Commercial Panels
Application	Ancillary, Commercial, Education, Healthcare, Retail
Specification	Performance



## PRODUCT FEATURES

- Edge lit LED panel suitable for education, commercial and ancillary area applications
- White anodised aluminium frame for visual compatibility with ceiling grid
- Surface mounting frame option
- TP(a) as standard
- Cool white, warm white and daylight options
- Low glare and even light distribution for multiple applications
- Powered by Tridonic

### GENERAL INFORMATION

Wattage	60W
Lumens Delivered	5400lm
Lm/W	88lm/W
Beam Angle	110
CRI	80
CCT	4000K
Input	220/240V
Operating Temp	-20°C - 40°C
SDCM	4
UGR	20
Cut-Out Size	585x1185mm
Product Weight without Packaging	4.87 kg

### TECHNICAL INFORMATION

Light Source	LED
Colour / Finish	White
IP Rating	IP40
Class Protection	2
Internal / External	Internal
Surface / Recessed / Suspended	Recessed, Surface
Lumen Depreciation	L80 76,000h
Warranty (Years)	5
CE Mark	Yes
Accessories	AERMLED/120/SMF, APRK/120

