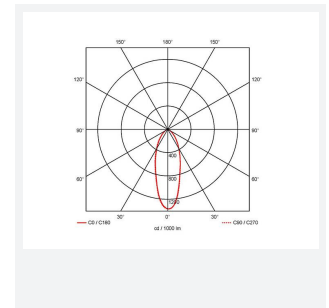
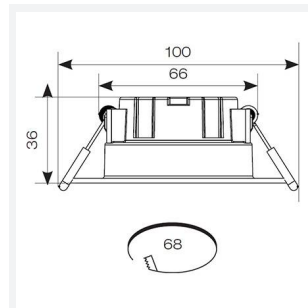
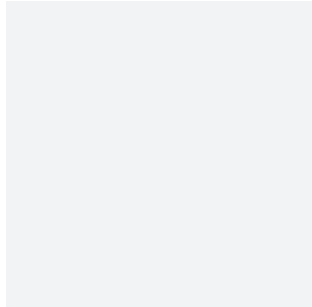
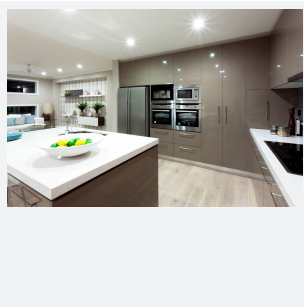


Ergo Fixed

Ergo Eco Fixed Downlight Daylight
Code: AERGO/DL

Category	Downlights
Application	Ancillary, Hospitality, Residential, Retail
Specification	Performance



- Compact polycarbonate LED downlight and gimbal suitable for residential applications and semi-commercial applications (gimbal version only)
- Low profile design with integral driver with loop-in, loop-out terminals for ease and speed of installation
- Triac dimmable as standard
- IP44 rating as standard allows for a range of installation applications (downlight version only)
- Supplied pre-wired with 200mm of cable

GENERAL INFORMATION	
Wattage	5W
Lumens Delivered	600lm
Lm/W	120lm/W
Beam Angle	40
CRI	80
CCT	6500K
Input	220-240V
Operating Temp	-20°C - 40°C
SDCM	6
UGR	26
Cut-Out Size	68mm
Product Weight without Packaging	0.09 kg

TECHNICAL INFORMATION	
Light Source	LED
Colour / Finish	Matt White
IP Rating	IP44
Class Protection	2
Internal / External	Internal
Surface / Recessed / Suspended	Recessed
Lumen Depreciation	L70 25,000h
Warranty (Years)	2
CE Mark	Yes
Height	36 mm

