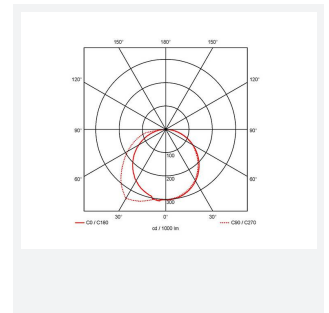
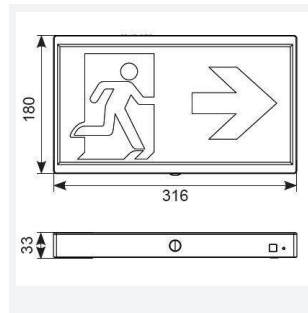




EndLED

EndLED Lithium Exit Sign Maintained / Non-Code: AENLED/LI/3M/DA

Category	Emergency
Application	Ancillary, Commercial, Education, Healthcare, Hospitality, Industrial, Retail
Specification	Performance



PRODUCT FEATURES

- Low profile compact and modern polycarbonate LED exit box
- Self-test emergency as standard
- 20mm top and rear cable entries
- LiFePO4 Lithium battery provides improved energy consumption, product reliability and lifetime
- Supplied with all legend options - arrow down, arrow up and arrow left/right
- Available in black and white finishes

GENERAL INFORMATION	
Wattage	2.5W
Beam Angle	75
CRI	80
CCT	6500K
Input	220-240V
Operating Temp	5°C - 40°C
SDCM	5
Product Weight without Packaging	0.662 kg

TECHNICAL INFORMATION	
Light Source	LED
Colour / Finish	White
IP Rating	IP20
Class Protection	2
Internal / External	Internal
Surface / Recessed / Suspended	Wall
Lumen Depreciation	L70 54,000h
Warranty (Years)	6
CE Mark	Yes
Height	180 mm

