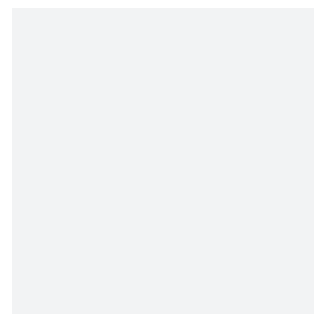
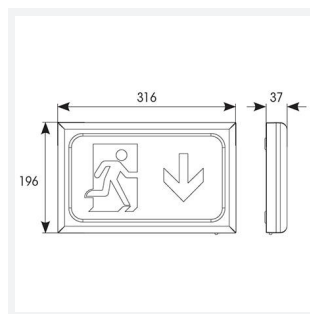




Encore

Encore Exit Box Self-Test Maintained / Non-Code: AENC/1/W/ST

Category	Emergency
Application	Ancillary, Commercial, Education, Healthcare, Hospitality, Industrial, Retail
Specification	Performance



PRODUCT FEATURES

- Ultra slim modern LED exit box
- Neat picture frame appearance compared to conventional fluorescent exit signs
- Available in white and silver grey finishes
- LiFePO4 Lithium battery provides improved energy consumption, product reliability and lifetime
- Supplied with all legend options - arrow down, arrow up and arrow left/right
- Self-test option

GENERAL INFORMATION

Wattage	3W
CRI	70
CCT	6500K
Input	220-240V
Operating Temp	0°C - 40°C
SDCM	6
Product Weight without Packaging	0.791 kg

TECHNICAL INFORMATION

Light Source	LED
Colour / Finish	White
IP Rating	IP20
Class Protection	1
Internal / External	Internal
Surface / Recessed / Suspended	Wall
Lumen Depreciation	L70 50,000h
Warranty (Years)	5
CE Mark	Yes
Diameter	196 mm

