

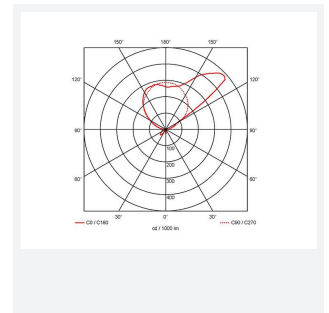
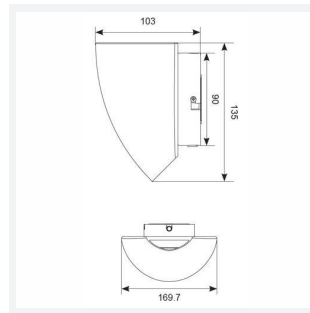
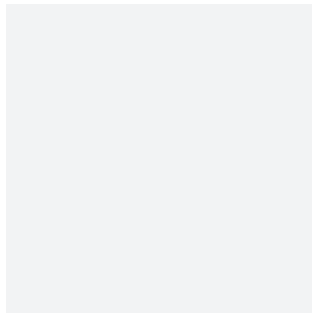
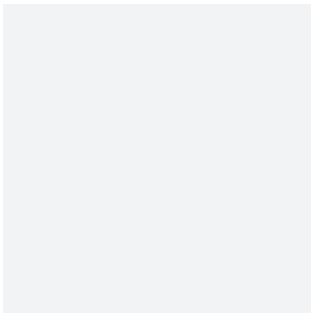


Duo

Duo White

Code: ADULED/W

Category	Wall Lights
Application	Hospitality, Residential, Retail
Specification	Architectural



PRODUCT FEATURES

- Feature wall light with bi-directional light distribution suitable for residential and hospitality applications
- Dupont polyester powder coating
- Die-cast aluminium wall fixture
- Triac dimmable as standard

GENERAL INFORMATION	
Wattage	10W
Lumens Delivered	580lm
Lm/W	58lm/W
Beam Angle	110
CRI	80
CCT	3000K
Input	220/240V
Operating Temp	-10°C - 25°C
SDCM	3
UGR	11
Product Weight without Packaging	0.473 kg

TECHNICAL INFORMATION	
Light Source	LED
Colour / Finish	White
IP Rating	IP20
Class Protection	2
Internal / External	Internal
Surface / Recessed / Suspended	Wall
Lumen Depreciation	L70 50,000h
Warranty (Years)	3
CE Mark	Yes
Height	135 mm

