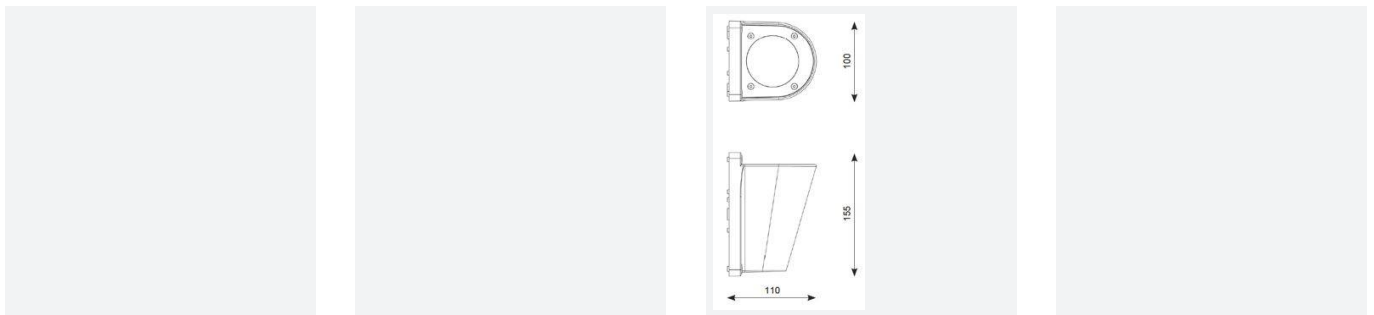




# Dugas

Dugas  
Code: ADU50

Category	Wall Lights
Application	Hospitality, Outdoor, Residential
Specification	Architectural



## PRODUCT FEATURES

- Compact die-cast aluminium wall light suitable for residential and hospitality applications (supplied less lamp)
- Luminaire design allows for installation of GU10 LED lamps
- Option to add OCTO Connected by WiZ GU10 lamp
- Installation in either upward or downward orientation
- Graphite textured paint finish

### GENERAL INFORMATION

Wattage	50W
Input	220-240V
Product Weight without Packaging	0.693 kg

### TECHNICAL INFORMATION

Light Source	GU10
Colour / Finish	Graphite
IP Rating	IP44
Class Protection	1
Internal / External	External
Surface / Recessed / Suspended	Wall
Warranty (Years)	2
CE Mark	Yes
Height	155 mm

