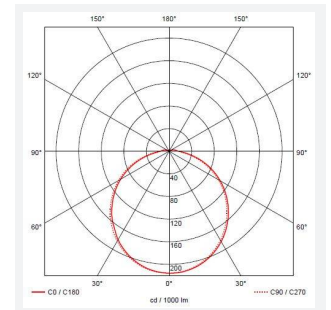
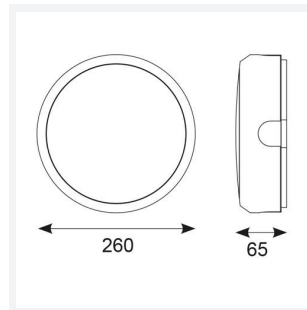
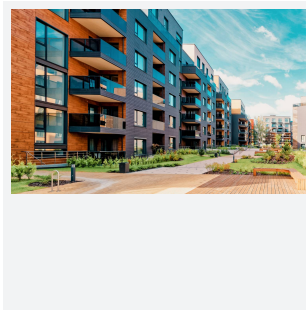


Delta

Delta CCT 2 Switch Dim White
Code: ADLED2/WV/CCT/DD1

Category	Bulkheads
Application	Ancillary, Commercial, Education, Healthcare, Industrial, Outdoor
Specification	Performance



PRODUCT FEATURES

- Push fit feed-in, feed-out terminals for speed and ease of installation
- Internal CCT selector switch allows the installer to choose the CCT between 3000K and 4000K
- Unique Visiluxe diffuser allows 90% light transmission from LED source for increased performance
- Push fit feed-in, feed-out terminals for speed and ease of installation
- Supplied c/w optional trim attachment which provides a more commercially aesthetic appearance
- Instant light output and unlimited switching

GENERAL INFORMATION

Wattage	13W
Lumens Delivered	1600lm (4000K)
Lm/W	140lm/W(4000K)
Beam Angle	115
CRI	80
CCT	3000/4000/5700K
Input	220/240V
Operating Temp	-10°C - 25°C
SDCM	6
Product Weight without Packaging	1.141 kg

TECHNICAL INFORMATION

Light Source	LED
Colour / Finish	White / Visiluxe
IP Rating	IP65
Class Protection	2
Internal / External	Internal / External
Surface / Recessed / Suspended	Ceiling, Wall
Lumen Depreciation	L80 60,000h
Warranty (Years)	5
CE Mark	Yes
Diameter	294 mm
Accessories	ADLED2/BZ/EYE/B, ADLED2/BZ/EYE/W, ADLED2/BZ/GRILL/B, ADLED2/BZ/GRILL/W

