

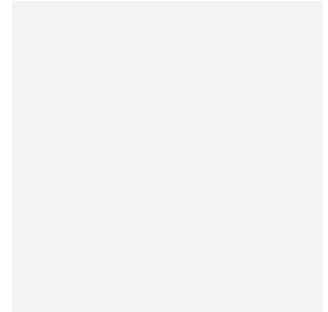
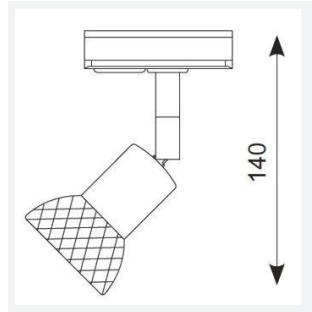
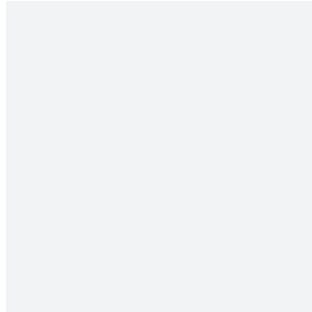
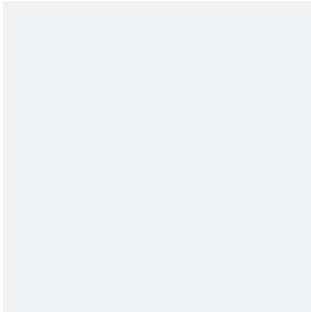


Single Circuit Dara 50W GU10 Mains

Single Circuit Dara GU10 Mains Black

Code: ADGU10S/B

Category	Track Lighting
Application	Ancillary, Hospitality, Residential, Retail
Specification	Architectural



PRODUCT FEATURES

- Minimal track spot (product supplied less lamp)
- Option to add Bluetooth and WiFi enabled smart WIZ GU10 lamp
- 355° rotation, spot head tilt angle to 90°

GENERAL INFORMATION

Wattage	50W
Input	220-240V
Operating Temp	-20°C - 25°C
Product Weight without Packaging	0.132 kg

TECHNICAL INFORMATION

Light Source	GU10
Colour / Finish	Black
IP Rating	IP20
Class Protection	2
Internal / External	Internal
Lumen Depreciation	L70 50,000h
Warranty (Years)	2
CE Mark	Yes
Height	140 mm
Accessories	AMON/GU10/W, AMON/GU10/B

