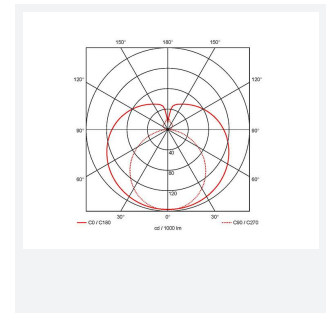
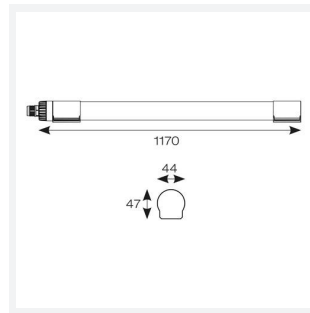




# Cyclone

Cyclone Non-Corrosive 1200mm Cool White  
Code: ACYCLED4/CW

|               |                           |
|---------------|---------------------------|
| Category      | Battens and Weatherproofs |
| Application   | Industrial                |
| Specification | Performance               |



## PRODUCT FEATURES

- Slim and lightweight economic polycarbonate LED non-corrosive suitable for industrial applications
- Quick and easy electrical connection without opening the luminaire
- Non-dimmable
- LED Performance allows point-to-point replacement of existing fluorescent luminaires
- IK08 impact rating offers superior product durability

| GENERAL INFORMATION              |              |
|----------------------------------|--------------|
| Wattage                          | 25W          |
| Lumens Delivered                 | 3100lm       |
| Lm/W                             | 125lm/W      |
| Beam Angle                       | 360          |
| CRI                              | 80           |
| CCT                              | 4000K        |
| Input                            | 220/240V     |
| Operating Temp                   | -20°C - 40°C |
| SDCM                             | 6            |
| Product Weight without Packaging | 0.312 kg     |

| TECHNICAL INFORMATION          |                     |
|--------------------------------|---------------------|
| Light Source                   | LED                 |
| Colour / Finish                | White               |
| IP Rating                      | IP65                |
| Class Protection               | 2                   |
| Internal / External            | Internal / External |
| Surface / Recessed / Suspended | Ceiling             |
| Lumen Depreciation             | L80 54,000h         |
| Warranty (Years)               | 2                   |
| CE Mark                        | Yes                 |
| Height                         | 47 mm               |

