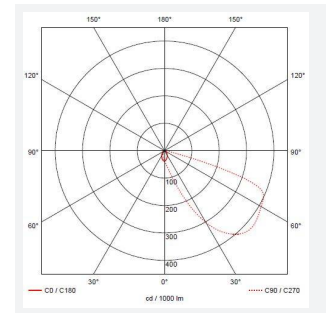
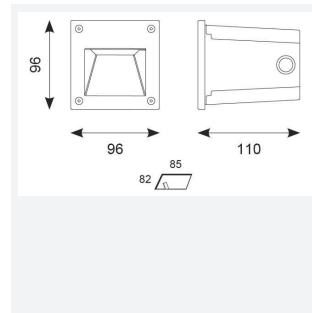


Camini

Camini Square
Code: ACSQLEDWL

Category	Wall Lights
Application	Hospitality, Outdoor, Residential, Retail
Specification	Architectural



PRODUCT FEATURES

- Compact low level square LED pathway light with downward light spill suitable for residential and hospitality applications
- CCT selectable between 3000K and 4000K
- Non-dimmable
- Die-cast aluminium construction with graphite paint finish
- Supplied c/w plastic installation box and pre-wired with 1 metre of rubber insulated cable for ease of installation

GENERAL INFORMATION	
Wattage	2
Lumens Delivered	80lm
Lm/W	22lm/W
Beam Angle	70
CRI	80
CCT	3000K/4000K
Input	220-240V
Operating Temp	-20°C - 25°C
SDCM	3
Cut-Out Size	82.5x82.5mm
Energy efficiency class	E
Product Weight without Packaging	0.589 kg

TECHNICAL INFORMATION	
Light Source	LED
Colour / Finish	Graphite
IP Rating	IP65
Class Protection	1
Internal / External	External
Surface / Recessed / Suspended	Recessed
Warranty (Years)	3
CE Mark	Yes
Height	96 mm

