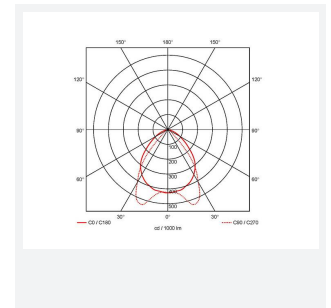
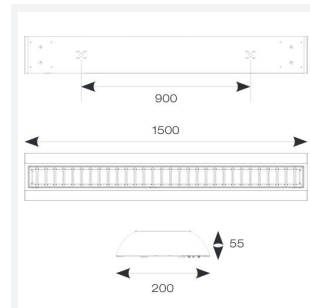


Crescent

Crescent CCT Surface/Suspended Linear
Code: ACRESLED5/DD4/DM3

| | |
|---------------|----------------------------------|
| Category | Commercial Linear |
| Application | Ancillary, Commercial, Education |
| Specification | Performance |



PRODUCT FEATURES

- High specification fully enclosed linear luminaire suitable for most commercial and educational applications
- Polycarbonate diffuser and polished louvre for excellent photometric performance
- Suitable for surface mounting and suspension
- Steel powder coated body for enhanced durability
- CCT selectable between 3000K and 4000K and power selectable; offering a choice of 2 outputs, in one luminaire
- Powered by Philips

| GENERAL INFORMATION | |
|---------------------|-------------------------|
| Wattage | 23W - 40W |
| Lumens Delivered | 3000lm - 5600lm (4000K) |
| Lm/W | 133-139lm/W (4000K) |
| Beam Angle | 80 |
| CRI | 80 |
| CCT | 3000/4000K |
| Input | 220/240V |
| Operating Temp | 0°C - 50°C |
| SDCM | 3 |
| UGR | 19 |

| TECHNICAL INFORMATION | |
|--------------------------------|--------------------|
| Light Source | LED |
| Colour / Finish | White |
| IP Rating | IP20 |
| Class Protection | 1 |
| Internal / External | Internal |
| Surface / Recessed / Suspended | Ceiling, Suspended |
| Lumen Depreciation | L80 100,000h |
| Warranty (Years) | 5 |
| CE Mark | Yes |

