



<b>Category</b>	Downlights
<b>Application</b>	Ancillary, Commercial, Education, Healthcare, Hospitality, Retail
<b>Specification</b>	Performance

# Comfort EVO

Comfort EVO 2 Dual Output CCT Downlight White  
**Code: ACOM2/1**



## PRODUCT FEATURES

- Economic high performance CCT selectable IP44 downlight suitable for commercial and healthcare applications
- Deep cut-off angle for glare control and comfort
- Downlight design allows installation into existing hole cut-outs of 210mm
- Polycarbonate housing with unique thermal management for durability and optimum lifespan
- Intelligent and eco-friendly 3 part design allows end user the choice of either black or white reflector and trim accessories to add to the downlight (ACOM\*/1), offering great customisation and product upgradability
- CCT selectable between 3000K and 4000K and power selectable; offering a choice of 2 outputs, in one luminaire
- Anti-Ligature kit available for installation in secure environments such as healthcare and educational facilities
- Dimmable and Emergency options, standard and Self-Test Emergency available using the Hawk Kit Emergency Pack

### GENERAL INFORMATION

<b>Wattage</b>	17W - 21W
<b>Lumens Delivered</b>	2300lm - 2800lm (4000K)
<b>Lm/W</b>	130lm/W (4000K)
<b>Beam Angle</b>	80
<b>CRI</b>	80
<b>CCT</b>	3000/4000K
<b>Input</b>	220-240V
<b>Operating Temp</b>	-20°C - 25°C
<b>SDCM</b>	3
<b>UGR</b>	23
<b>Cut-Out Size</b>	210mm
<b>Energy efficiency class</b>	F
<b>Product Weight without Packaging</b>	0.38 kg

### TECHNICAL INFORMATION

<b>Light Source</b>	LED
<b>Colour / Finish</b>	White
<b>IP Rating</b>	IP44
<b>Class Protection</b>	2
<b>Internal / External</b>	Internal
<b>Surface / Recessed / Suspended</b>	Recessed
<b>Lumen Depreciation</b>	L80 60,000h
<b>Warranty (Years)</b>	5
<b>CE Mark</b>	Yes
<b>Height</b>	62 mm

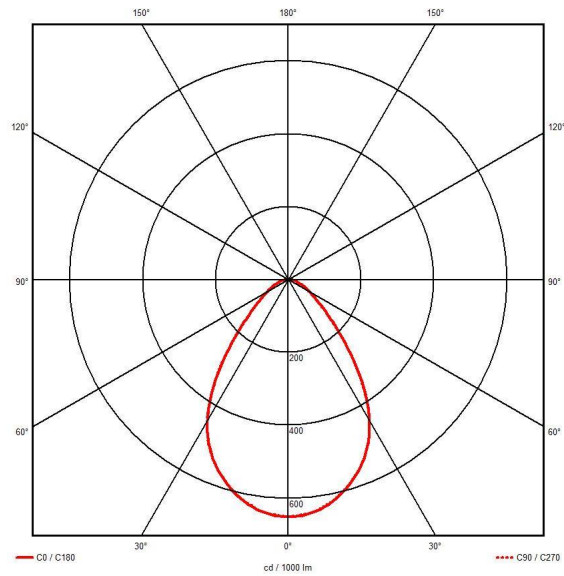
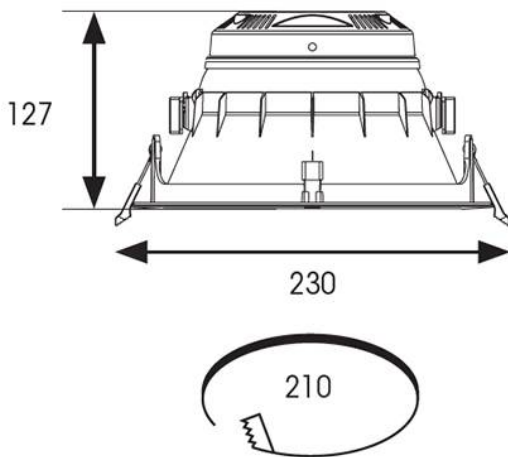




<b>Category</b>	Downlights
<b>Application</b>	Ancillary, Commercial, Education, Healthcare, Hospitality, Retail
<b>Specification</b>	Performance

# Comfort EVO

Comfort EVO 2 Dual Output CCT Downlight White  
**Code:** ACOM2/1



## ACCESSORIES

ACOM/TR/W/1	Comfort EVO White Reflector and Trim
ACOM/TR/B/1	Comfort EVO Black Reflector and Trim
AARXDLK/1	ARX Downlight Anti-Ligature Kit
AHUEMKIT/LI	Hawk Universal Lithium Emergency Kit Maintained/Non-maintained

## MANDATORY ACCESSORIES

ACOM/TR/W/1	Comfort EVO White Reflector and Trim
ACOM/TR/B/1	Comfort EVO Black Reflector and Trim

