

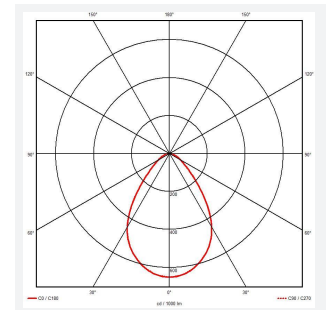
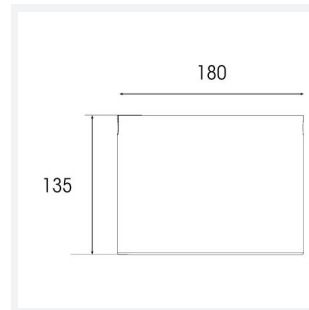
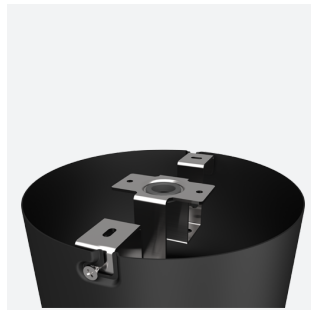


# Comfort EVO Surface Mounted

Comfort EVO 2 Surface Mounted Switch Dim  
Code: ACOM2/1/SMF/B/DD1

**Application** Ancillary, Commercial, Education, Healthcare, Hospitality

**Specification** Performance



## PRODUCT FEATURES

- Economic high performance CCT selectable surface IP44 downlight suitable for commercial and healthcare applications
- CCT selectable between 3000K and 4000K and power selectable; offering a choice of 2 outputs, in one luminaire
- Polycarbonate housing with unique thermal management for durability and optimum lifespan
- Please note: Reflector and trim parts (ACOM/TR/\*/\*) are not required for installation with this kit
- Deep cut-off angle for glare control and comfort
- Available in black or white finishes
- Dimmable options available
- Please note: Hawk Emergency Kit cannot be used in conjunction with this downlight

### GENERAL INFORMATION

Wattage	17W - 21W
Lumens Delivered	2300lm - 2800lm (4000K)
Lm/W	130lm/W (4000K)
Beam Angle	80
CRI	80
CCT	3000K/4000K
Input	220/240V
Operating Temp	-20°C - 25°C
SDCM	3
UGR	23

### TECHNICAL INFORMATION

Light Source	LED
Colour / Finish	Black
IP Rating	IP44
Class Protection	2
Internal / External	Internal
Surface / Recessed / Suspended	Surface
Lumen Depreciation	L80 B10 60,000h
Warranty (Years)	5
CE Mark	Yes
Diameter	180 mm
Height	135 mm

