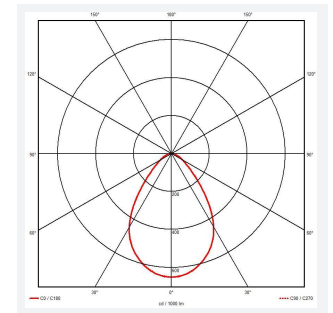
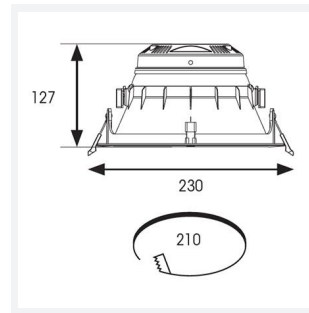




Comfort EVO

Comfort EVO 2 Dual Output CCT Downlight
Code: ACOM2/1/DD1

| | |
|---------------|---|
| Category | Downlights |
| Application | Ancillary, Commercial, Education, Healthcare, Hospitality, Retail |
| Specification | Performance |



PRODUCT FEATURES

- Economic high performance CCT selectable IP44 downlight suitable for commercial and healthcare applications
- Deep cut-off angle for glare control and comfort
- Downlight design allows installation into existing hole cut-outs of 210mm
- Polycarbonate housing with unique thermal management for durability and optimum lifespan
- Intelligent and eco-friendly 3 part design allows end user the choice of either black or white reflector and trim accessories to add to the downlight (ACOM*/1), offering great customisation and product upgradability
- CCT selectable between 3000K and 4000K and power selectable; offering a choice of 2 outputs, in one luminaire
- Anti-Ligature kit available for installation in secure environments such as healthcare and educational facilities
- Dimmable and Emergency options, standard and Self-Test Emergency available using the Hawk Kit Emergency Pack

GENERAL INFORMATION

| | |
|----------------------------------|-------------------------|
| Wattage | 17W - 21W |
| Lumens Delivered | 2300lm - 2800lm (4000K) |
| Lm/W | 130lm/W (4000K) |
| Beam Angle | 80 |
| CRI | 80 |
| CCT | 3000/4000K |
| Input | 220/240V |
| Operating Temp | -20°C - 25°C |
| SDCM | 3 |
| UGR | 23 |
| Cut-Out Size | 210mm |
| Energy efficiency class | F |
| Product Weight without Packaging | 0.23 kg |

TECHNICAL INFORMATION

| | |
|--------------------------------|-------------|
| Light Source | LED |
| Colour / Finish | White |
| IP Rating | IP44 |
| Class Protection | 2 |
| Internal / External | Internal |
| Surface / Recessed / Suspended | Recessed |
| Lumen Depreciation | L80 60,000h |
| Warranty (Years) | 5 |
| CE Mark | Yes |
| Height | 62 mm |

