

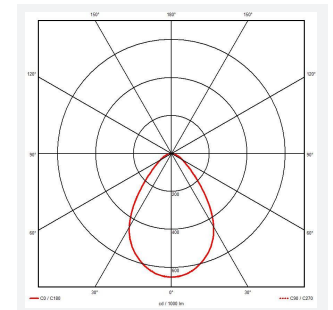
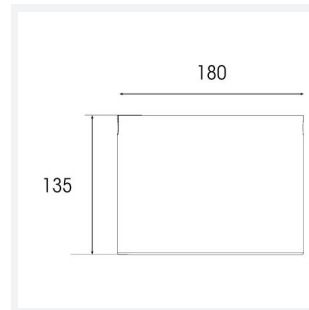
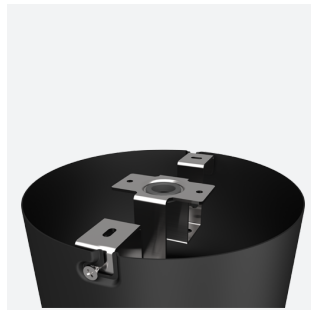


Comfort EVO Surface Mounted

Comfort EVO 1 Surface Mounted DALI Black
Code: ACOM1/1/SMF/B/DD3

Application Ancillary, Commercial, Education, Healthcare, Hospitality

Specification Performance



PRODUCT FEATURES

- Economic high performance CCT selectable surface IP44 downlight suitable for commercial and healthcare applications
- CCT selectable between 3000K and 4000K and power selectable; offering a choice of 2 outputs, in one luminaire
- Polycarbonate housing with unique thermal management for durability and optimum lifespan
- Please note: Reflector and trim parts (ACOM/TR/*/*) are not required for installation with this kit
- Deep cut-off angle for glare control and comfort
- Available in black or white finishes
- Dimmable options available
- Please note: Hawk Emergency Kit cannot be used in conjunction with this downlight

GENERAL INFORMATION

Wattage	7W - 13W
Lumens Delivered	1000lm - 1800lm (4000K)
Lm/W	130lm/W (4000K)
Beam Angle	80
CRI	80
CCT	3000K/4000K
Input	220/240V
Operating Temp	-20°C - 25°C
SDCM	3
UGR	23
Energy efficiency class	F
Product Weight without Packaging	0.23 kg

TECHNICAL INFORMATION

Light Source	LED
Colour / Finish	Black
IP Rating	IP44
Class Protection	2
Internal / External	Internal
Surface / Recessed / Suspended	Surface
Lumen Depreciation	L80 B10 60,000h
Warranty (Years)	5
CE Mark	Yes
Diameter	180 mm
Height	135 mm

