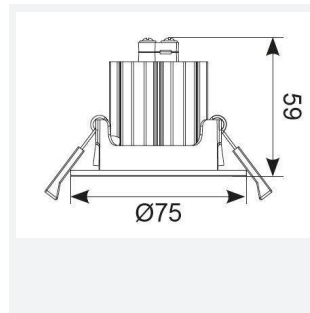




Beacon Fixed

Category	Emergency
Application	Ancillary, Commercial, Education, Healthcare, Hospitality, Industrial, Retail
Specification	Performance

Code: ABFLED/3NM



- LED Non-Maintained fixed polycarbonate downlight
- Power and green charge LED are discreetly incorporated within the head
- 3 hour emergency output

GENERAL INFORMATION	
Wattage	2.5W
Lumens Delivered	270lm (Emergency)
Beam Angle	120
CRI	70
CCT	6000-7000K
Input	220-240V
Operating Temp	0°C - 40°C
SDCM	6
Cut-Out Size	65
Product Weight without Packaging	0.655 kg

TECHNICAL INFORMATION	
Light Source	LED
Colour / Finish	White
IP Rating	IP20
Class Protection	1
Internal / External	Internal
Surface / Recessed / Suspended	Recessed
Warranty (Years)	5
CE Mark	Yes
Diameter	75 mm
Height	59 mm

