



<b>Category</b>	Emergency
<b>Application</b>	Ancillary, Commercial, Education, Healthcare, Hospitality, Industrial, Retail
<b>Specification</b>	Performance

# Beacon Fixed

Beacon Emergency Downlight - Fixed  
**Code:** ABFLED/3NM

## PRODUCT FEATURES

- LED Non-Maintained fixed polycarbonate downlight
- Power and green charge LED are discreetly incorporated within the head
- 3 hour emergency output

### GENERAL INFORMATION

<b>Wattage</b>	2.5W
<b>Lumens Delivered</b>	270lm (Emergency)
<b>Beam Angle</b>	120
<b>CRI</b>	70
<b>CCT</b>	6000-7000K
<b>Input</b>	220-240V
<b>Operating Temp</b>	0°C - 40°C
<b>SDCM</b>	6
<b>Cut-Out Size</b>	60-65mm
<b>Product Weight without Packaging</b>	0.4 kg

### TECHNICAL INFORMATION

<b>Light Source</b>	LED
<b>Colour / Finish</b>	White
<b>IP Rating</b>	IP20
<b>Class Protection</b>	1
<b>Internal / External</b>	Internal
<b>Surface / Recessed / Suspended</b>	Recessed
<b>Warranty (Years)</b>	5
<b>CE Mark</b>	Yes
<b>Diameter</b>	75 mm
<b>Height</b>	59 mm
<b>Emergency Output Duration</b>	3 Hr

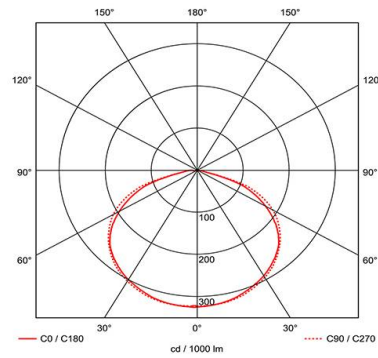
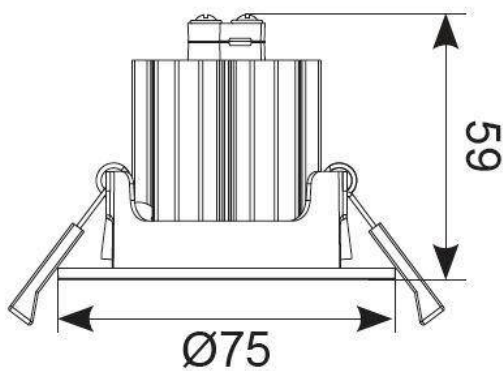




<b>Category</b>	Emergency
<b>Application</b>	Ancillary, Commercial, Education, Healthcare, Hospitality, Industrial, Retail
<b>Specification</b>	Performance

# Beacon Fixed

Beacon Emergency Downlight - Fixed  
**Code:** ABFLED/3NM



SPARES	
ASBP/9/LI	3.2V 5500mAh-5 Li-FePO4 Replacement Battery