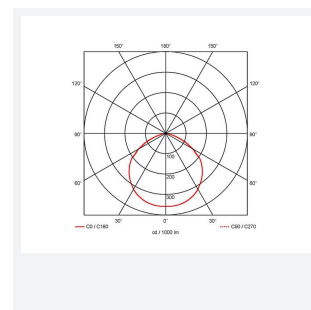
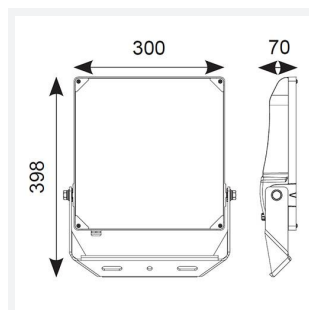
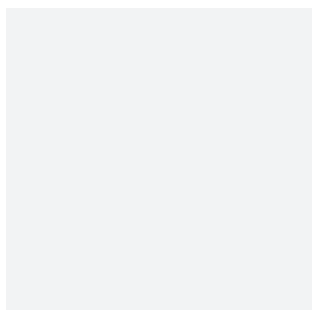




Aztec Symmetrical

Aztec Symmetrical Floodlight 200W
Code: AAZLED200

Category	Floodlights
Application	Ancillary, Commercial, Education, Healthcare, Hospitality, Industrial, Outdoor, Retail
Specification	Performance



PRODUCT FEATURES

- High performance die-cast aluminium LED floodlight with symmetrical light distribution suitable for industrial applications
- Pre-installed breathable gland prevents internal moisture accumulation
- High efficiency up to 148 Lm/W
- Non-dimmable
- High output, high efficiency floodlight
- Bracket design allows installation without removing mounting bracket
- Pre-wired with 1.5 metre of rubber insulated cable for ease of installation

GENERAL INFORMATION

Wattage	200W
Lumens Delivered	28500lm
Lm/W	143lm/W
Beam Angle	115
CRI	70
CCT	5000K
Input	220/240V
Operating Temp	-30°C - 50°C
SDCM	5
Product Weight without Packaging	5.08 kg

TECHNICAL INFORMATION

Light Source	LED
Colour / Finish	Black
IP Rating	IP66
Class Protection	1
Internal / External	External
Surface / Recessed / Suspended	Pole, Wall
Lumen Depreciation	L80 54,000h
Warranty (Years)	5
CE Mark	Yes
Height	398 mm

