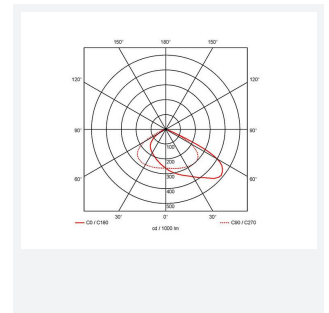
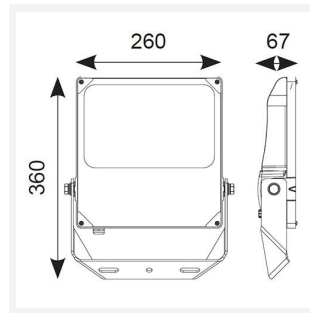




Aztec Asymmetric

Aztec Asymmetrical Floodlight 150W Photocell
Code: AAZLED150/ASY/PC

Category	Floodlights
Application	Ancillary, Commercial, Education, Healthcare, Hospitality, Industrial, Outdoor, Retail
Specification	Performance



PRODUCT FEATURES

- High performance die-cast aluminium LED floodlight suitable for industrial applications
- Pre-installed breathable gland prevents internal moisture accumulation
- High efficiency up to 143 Lm/W
- Non-dimmable
- High output, high efficiency asymmetric lens technology for anti-light pollution
- Bracket design allows installation without removing mounting bracket
- Pre-wired with 1.5 metre of rubber insulated cable for ease of installation

GENERAL INFORMATION	
Wattage	150W
Lumens Delivered	21000lm
Lm/W	141lm/W
Beam Angle	60/120
CRI	70
CCT	5000K
Input	220-240V
Operating Temp	-30°C - 40°C
SDCM	5
Product Weight without Packaging	3.993 kg

TECHNICAL INFORMATION	
Light Source	LED
Colour / Finish	Black
IP Rating	IP66
Class Protection	1
Internal / External	External
Surface / Recessed / Suspended	Pole, Wall
Lumen Depreciation	L80 54,000h
Warranty (Years)	5
CE Mark	Yes
Height	360 mm

