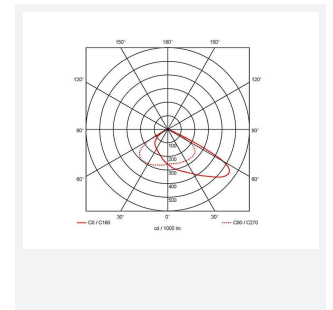
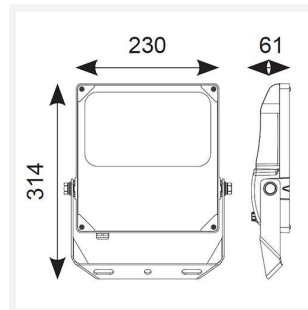
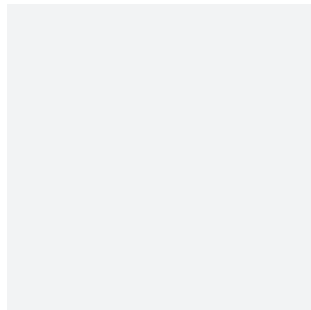




Aztec Asymmetric

Aztec Asymmetrical Floodlight 100W
Code: AAZLED100/ASY

| | |
|---------------|--|
| Category | Floodlights |
| Application | Ancillary, Commercial, Education, Healthcare, Hospitality, Industrial, Outdoor, Retail |
| Specification | Performance |



PRODUCT FEATURES

- High performance die-cast aluminium LED floodlight suitable for industrial applications
- Pre-installed breathable gland prevents internal moisture accumulation
- High efficiency up to 143 Lm/W
- Non-dimmable
- High output, high efficiency asymmetric lens technology for anti-light pollution
- Bracket design allows installation without removing mounting bracket
- Pre-wired with 1.5 metre of rubber insulated cable for ease of installation

| GENERAL INFORMATION | |
|----------------------------------|--------------|
| Wattage | 100W |
| Lumens Delivered | 14000lm |
| Lm/W | 143lm/W |
| Beam Angle | 60/120 |
| CRI | 70 |
| CCT | 5000K |
| Input | 220/240V |
| Operating Temp | -30°C - 50°C |
| SDCM | 5 |
| Product Weight without Packaging | 2.791 kg |

| TECHNICAL INFORMATION | |
|--------------------------------|-------------|
| Light Source | LED |
| Colour / Finish | Black |
| IP Rating | IP66 |
| Class Protection | 1 |
| Internal / External | External |
| Surface / Recessed / Suspended | Pole, Wall |
| Lumen Depreciation | L80 54,000h |
| Warranty (Years) | 5 |
| CE Mark | Yes |
| Height | 314 mm |

